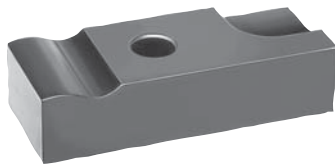


# Pivoting clamps

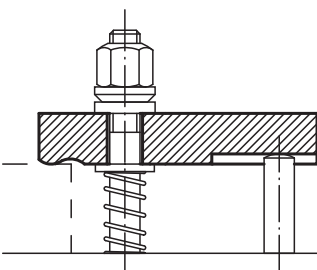
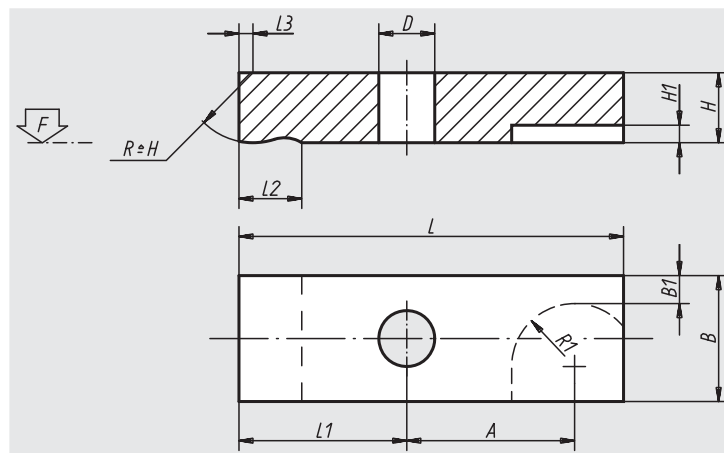


**Material:**  
Tempered steel 1.1191

**Surface finish:**  
Black oxide finish

**Sample order:**  
nlm 04030-10

**Note:**  
Recommended clamp supports: 02130 and 02150.



| Order No. | L   | L1 | L2 | L3  | B  | B1   | H  | H1 | D   | A  | R1 | F<br>kN | Approx.<br>weight<br>kg |
|-----------|-----|----|----|-----|----|------|----|----|-----|----|----|---------|-------------------------|
| 04030-05  | 32  | 14 | 8  | 1,2 | 12 | 2,5  | 8  | 3  | 5,5 | 14 | 7  | 3,42    | 0,020                   |
| 04030-06  | 40  | 17 | 10 | 1,6 | 16 | 4    | 10 | 3  | 7   | 18 | 8  | 4,82    | 0,040                   |
| 04030-08  | 50  | 22 | 12 | 2   | 20 | 5    | 12 | 4  | 9   | 22 | 10 | 8,77    | 0,090                   |
| 04030-10  | 63  | 28 | 16 | 2,5 | 25 | 6,5  | 16 | 4  | 11  | 27 | 12 | 13,9    | 0,150                   |
| 04030-12  | 80  | 35 | 20 | 3   | 32 | 9    | 20 | 5  | 14  | 35 | 14 | 20,2    | 0,300                   |
| 04030-14  | 100 | 44 | 25 | 4   | 40 | 12   | 25 | 6  | 16  | 44 | 16 | 27,6    | 0,620                   |
| 04030-16  | 125 | 55 | 32 | 5   | 50 | 16   | 30 | 6  | 18  | 54 | 18 | 37,8    | 1,520                   |
| 04030-20  | 160 | 75 | 40 | 6   | 60 | 20,5 | 30 | 8  | 22  | 65 | 22 | 58,8    | 2,650                   |

# Adjustable clamps

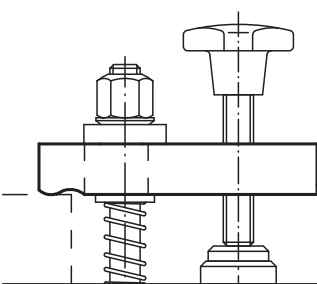
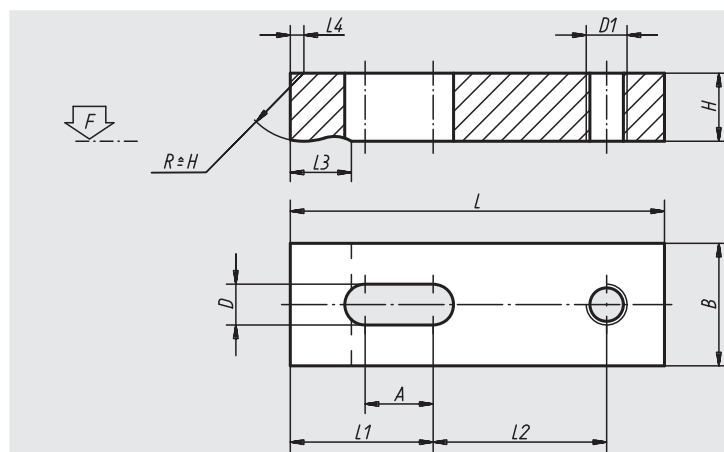


**Material:**  
Tempered steel 1.1191

**Surface finish:**  
Black oxide finish

**Sample order:**  
nlm 04050-08

**Note:**  
With concave washers, use the wide series 07420 form G.



| Order No. | L   | L1 | L2 | L3 | L4  | B  | H  | D   | D1  | A  | F<br>kN | Approx.<br>weight<br>kg |
|-----------|-----|----|----|----|-----|----|----|-----|-----|----|---------|-------------------------|
| 04050-05  | 40  | 18 | 18 | 8  | 1,2 | 12 | 8  | 5,5 | M6  | 10 | 3,42    | 0,020                   |
| 04050-06  | 50  | 22 | 23 | 10 | 1,6 | 16 | 10 | 7   | M6  | 12 | 4,82    | 0,040                   |
| 04050-08  | 63  | 28 | 29 | 12 | 2   | 20 | 12 | 9   | M8  | 16 | 8,77    | 0,090                   |
| 04050-10  | 80  | 36 | 36 | 16 | 2,5 | 25 | 16 | 11  | M10 | 20 | 13,9    | 0,150                   |
| 04050-12  | 100 | 45 | 45 | 20 | 3   | 32 | 20 | 14  | M12 | 25 | 20,2    | 0,300                   |
| 04050-14  | 125 | 57 | 56 | 25 | 4   | 40 | 25 | 16  | M14 | 32 | 27,6    | 0,620                   |
| 04050-16  | 160 | 72 | 72 | 32 | 5   | 50 | 30 | 18  | M16 | 40 | 37,8    | 1,520                   |
| 04050-20  | 200 | 90 | 90 | 40 | 6   | 60 | 30 | 22  | M20 | 50 | 58,8    | 2,650                   |