

# Straps

with flattened ball



**Material:**

Straps: tempered steel, balls: bearing steel

**Surface finish:**

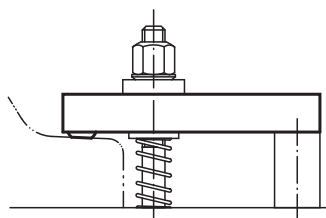
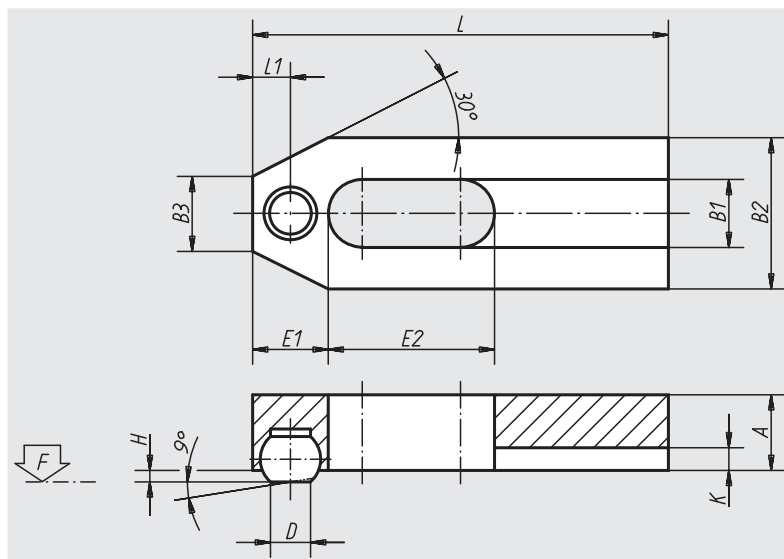
Strap black oxide finish;  
ball hardened and polished

**Sample order:**

nIm 04081-08

**Note:**

With concave washers, use the wide series 07420 form G.  
Ball is protected against torsion.



Order No.	L	L1	A	B1	B2	B3	D	H	K	Ball-Ø	E1	E2	F kN	for screw	Approx. weight kg
04081-06	50	5	10	7	20	8	5,5	1,6	2,5	8,5	10	20	4,82	M6	0,060
04081-08	60	6,5	12	9	25	10	7,2	2	3	10	13	22	8,77	M8	0,110
04081-10	80	7,5	15	11	30	12	8,6	2,7	3,5	12	15	30	13,9	M10	0,220
04081-12	125	10,5	20	13	40	14	10,5	3,5	4	16	21	50	20,2	M12	0,600