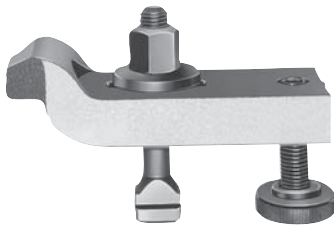


Cropped, equipped clamps

with screws



Material:

Tempered steel, screws heat-treated class 8.8

Surface finish:

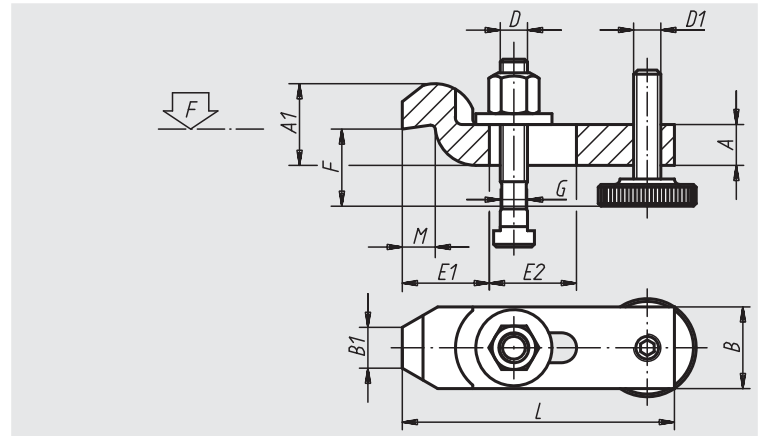
Straps: painted;
bolts: black oxide finish

Sample order:

nlm 04193-1616

Note:

„F“ is dependent on the depth of slot according to DIN 650.



| Order No. | L | A | A1 | B | B1 | E1 | E2 | F | G for T-slot | D | D1 | M | F kN | Approx. weight kg |
|------------|-----|----|----|----|----|----|----|-------|--------------|---------|-----|----|------|-------------------|
| 04193-1010 | 100 | 15 | 30 | 30 | 15 | 32 | 32 | 22-46 | 10 | M10x80 | M10 | 12 | 13,9 | 0,420 |
| 04193-1212 | 125 | 20 | 40 | 40 | 20 | 40 | 40 | 28-58 | 12 | M12x100 | M12 | 16 | 20,2 | 0,920 |
| 04193-1214 | 125 | 20 | 40 | 40 | 20 | 40 | 40 | 28-56 | 14 | M12x100 | M12 | 16 | 20,2 | 0,930 |
| 04193-1616 | 160 | 25 | 50 | 50 | 25 | 49 | 50 | 36-72 | 16 | M16x125 | M16 | 20 | 37,8 | 1,830 |
| 04193-1618 | 160 | 25 | 50 | 50 | 25 | 49 | 50 | 36-69 | 18 | M16x125 | M16 | 20 | 37,8 | 1,840 |
| 04193-2020 | 200 | 30 | 60 | 60 | 30 | 55 | 70 | 43-92 | 20 | M20x160 | M20 | 24 | 58,8 | 3,350 |
| 04193-2022 | 200 | 30 | 60 | 60 | 30 | 55 | 70 | 43-92 | 22 | M20x160 | M20 | 24 | 58,8 | 3,360 |

Clamp springs



Material:

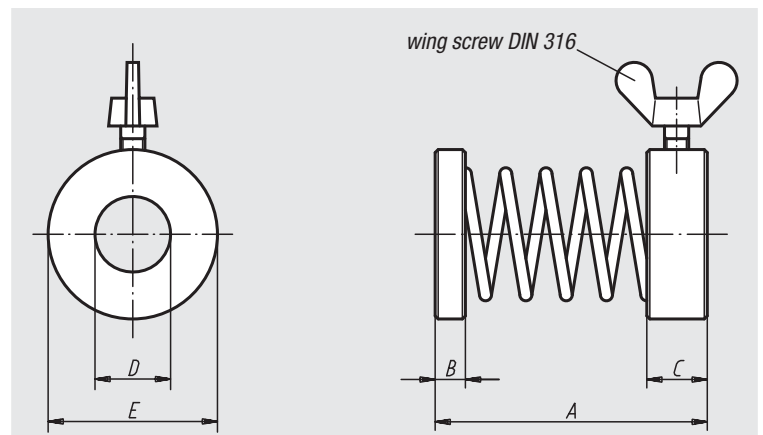
Pressure and retaining ring: tempered steel; spring: spring steel

Surface finish:

Pressure and retaining ring: black oxide finish; spring: polished

Sample order:

nlm 04195-12046



| Order No. | A | B | C | D | E | Wing screw DIN 316 | Approx. weight kg |
|-------------|----|---|---|------|----|--------------------|-------------------|
| 04195-08029 | 29 | 2 | 6 | 8,5 | 16 | M4x6 | 0,017 |
| 04195-12046 | 46 | 3 | 8 | 13 | 25 | M4x10 | 0,048 |
| 04195-16050 | 50 | 4 | 8 | 16,5 | 28 | M5x10 | 0,047 |