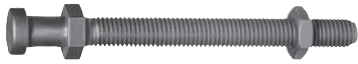


Bolt clamps

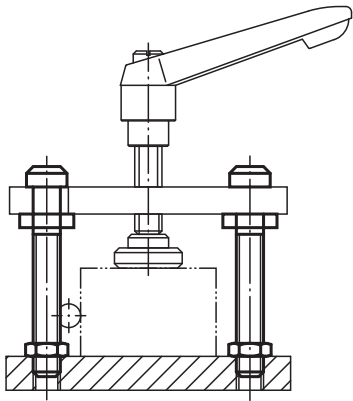
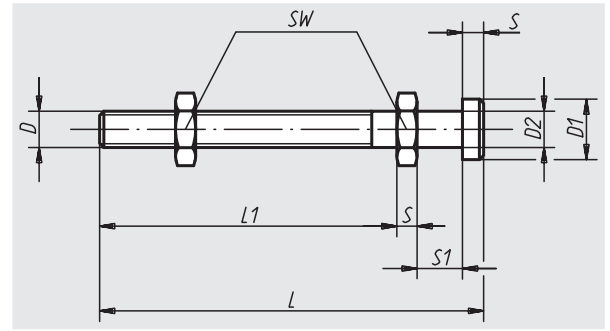


Material:
Tempered steel 1.1181

Surface finish:
Heat-treated and black oxide finish

Sample order:
nlm 04270-08

Note:
For use with pivoting clamp 04230 for example.



Order No.	D	D1	D2	L	L1	S	S1	SW	Approx. weight kg
04270-08	M8	13	8	80	60	4	11	13	0,040
04270-10	M10	17	10	100	77	5	13	17	0,085
04270-12	M12	19	12	125	97	6	15	19	0,140
04270-14	M14	22	14	160	129	7	17	22	0,230

Notes

