

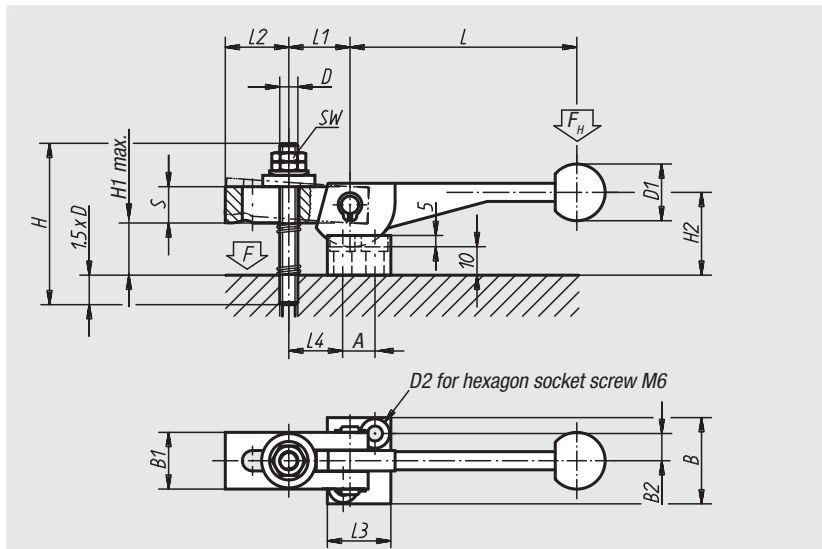
Single cam clamps



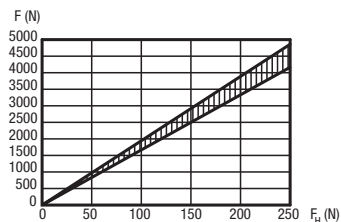
Material:
Eccentric lever tempered steel 1.7220,
strap tempered steel 1.1191

Surface finish:
Black oxide finish

Sample order:
nlm 04330-10



Force diagram



Order No.	L	L1	L2	L3	L4	B	B1	B2	S	H	H1	H2	D	D1	D2	A	SW	Approx. weight kg
04330-08	100	27	28	28	27	38	25	12	16	70	25	34	M8	25	7	14	13	0,195
04330-10	120	34	36	32	35	41	32	13,5	20	80	24	40	M10	30	7	16	17	0,720
04330-12	138,5	43	45	37	45	43	40	14,5	25	100	31	48	M12	30	7	19	19	1,215

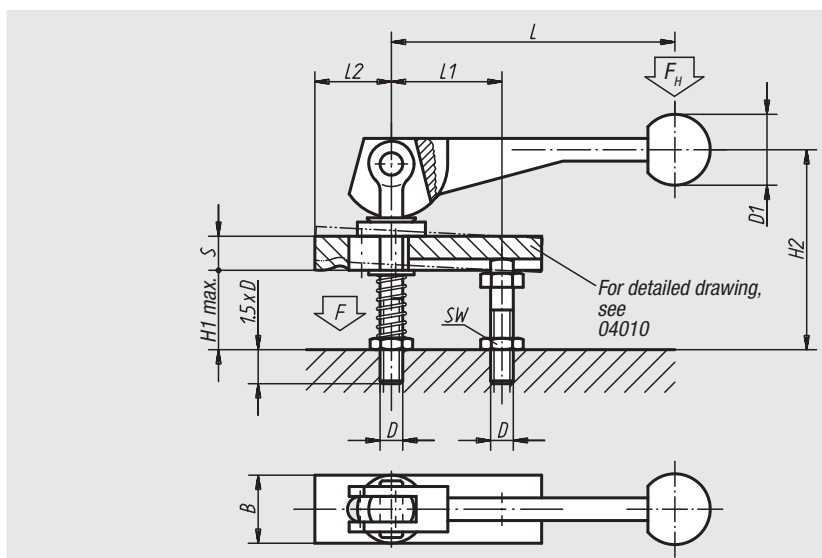
Double cam clamps



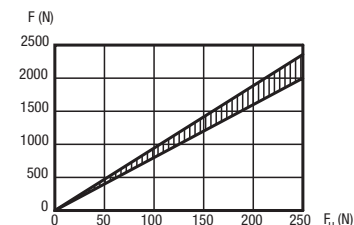
Material:
Eccentric lever tempered steel 1.7220,
strap tempered steel 1.1191

Surface finish:
Black oxide finish

Sample order:
nlm 04350-12



Force diagram



Order No.	L	L1	L2	B	S	H1	H2	D	D1	SW	Approx. weight kg
04350-08	100	39	37	20	12	28	74	M8	25	13	0,300
04350-10	120	49	46	25	16	39	92	M10	30	17	0,600
04350-12	138,5	61	58	32	20	49	120	M12	30	19	1,100