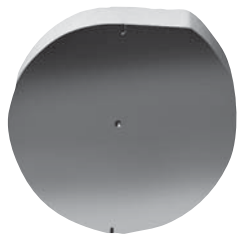


# Helical excentric

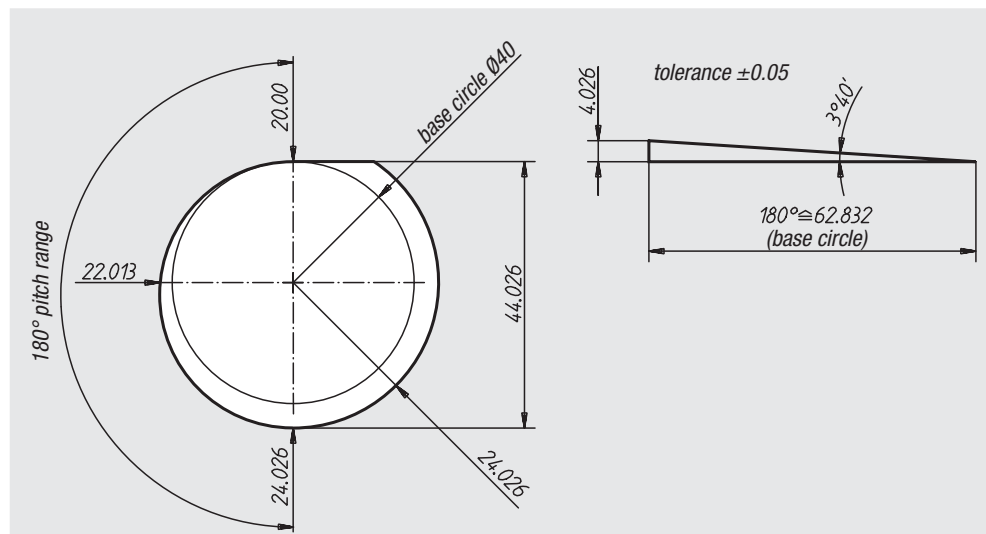


**Material:**  
Hardened steel 1.7131 (sectional steel)

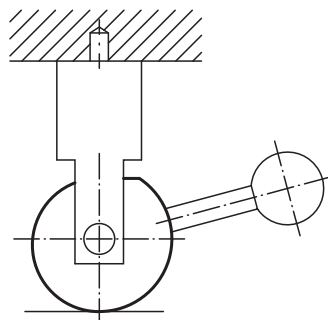
**Surface finish:**  
Saw cut burred,  
centre centred,  
beginning and end of helix marked

**Sample order:**  
nlm 04360-14

**Note:**  
The helical eccentric is used everywhere, where something has to be clamped or secured in a self-limiting way. It is activated either by a shaft attached to the centre or, mechanically, pneumatically or hydraulically by a laterally fixed lever. The self-limiting effect is retained if the pressure drops. This produces significantly greater operating safety when clamping pneumatically or hydraulically.



application example:



Order No.	Ø of base circle	Disc thickness	Approx. weight kg
04360-14	40	14	0,175
04360-20	40	20	0,255

01000  
02000  
03000  
04000  
05000  
06000  
07000  
08000  
09000  
20000  
21000  
22000  
23000