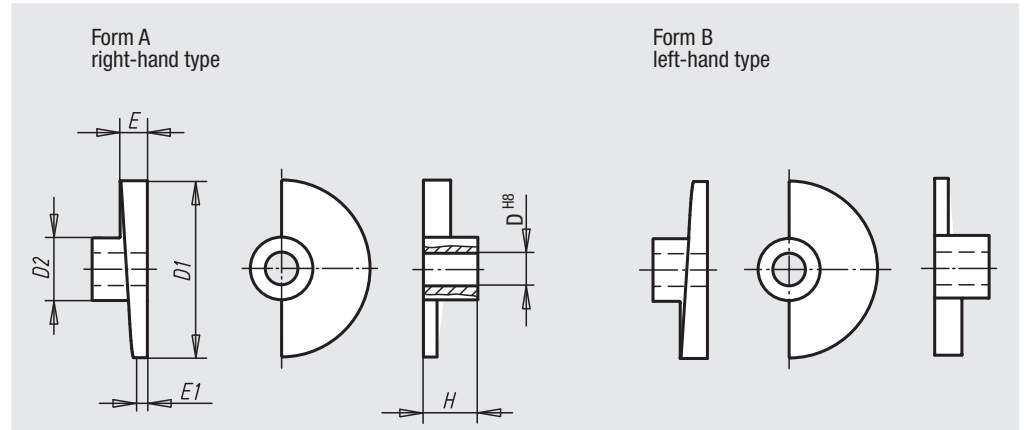


Locking disc



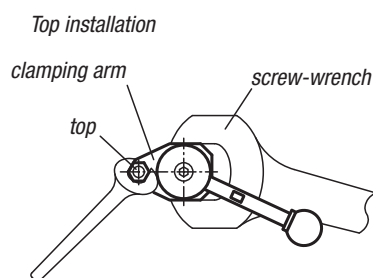
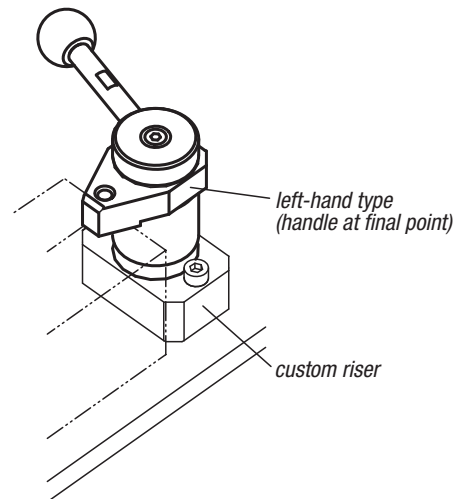
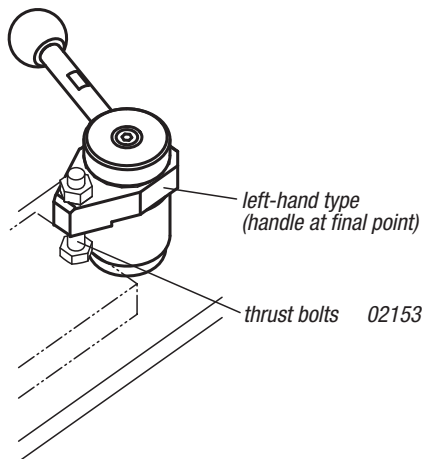
Material:
Sintered steel

Sample order:
nlm 04362-108



Order No. Form A	Order No. Form B	D	D1	D2	E	E1	H	Approx. weight g
04362-108	04362-208	8	35	18	7	3	15	35
04362-110	04362-210	10	35	18	7	3	15	33
04362-112	04362-212	12	65	23	7	5	20	120
04362-116	04362-216	16	80	27	9	6	24	210

Technical information for swing clamps



When installing a top on the clamping arm, lock the clamping arm using a screw-wrench to prevent it from receiving.