

# Swing clamps



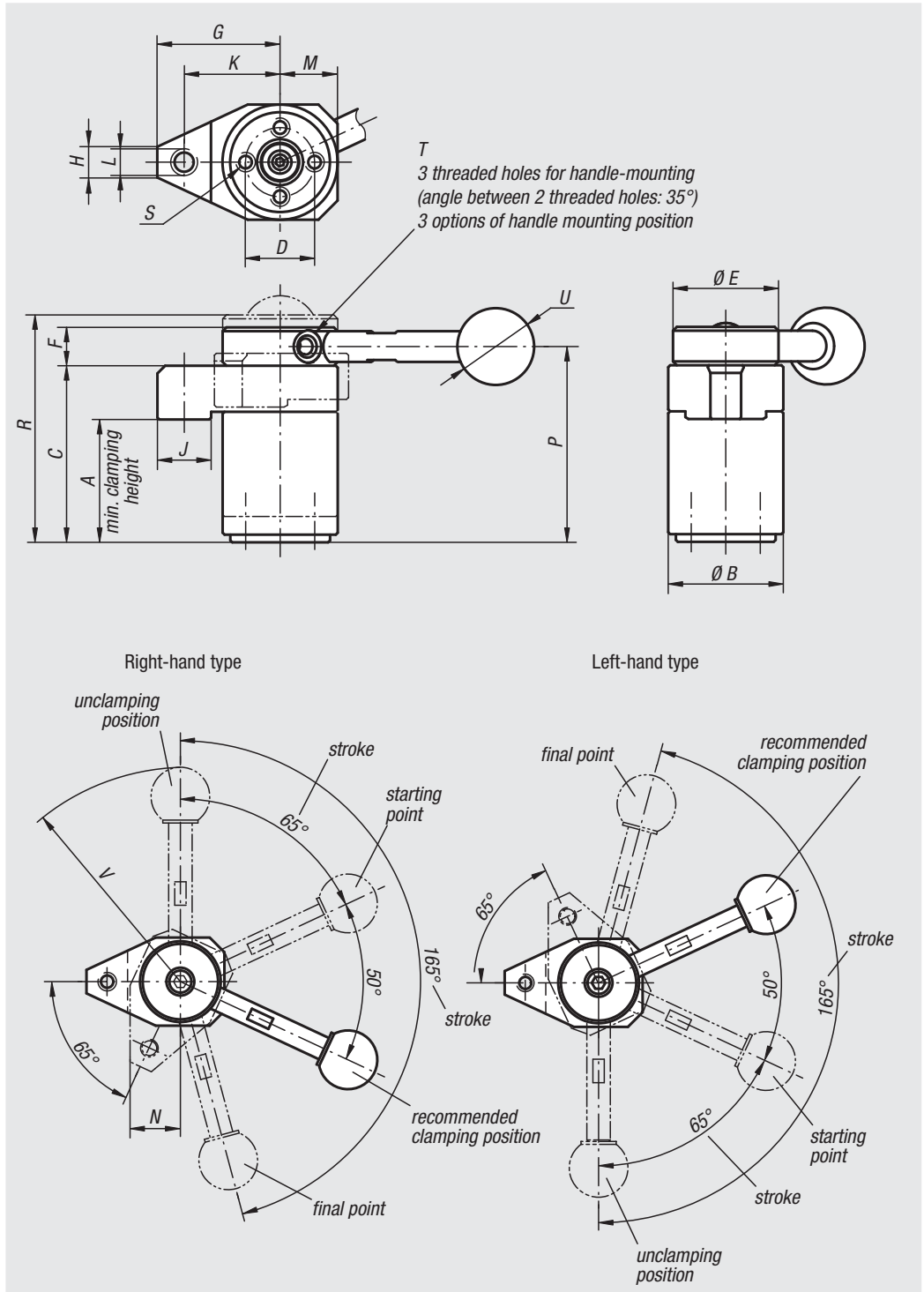
**Material:**  
Tempered steel;  
ball knob in plastic

**Surface finish:**  
Heat-treated and black oxide finish;  
ball knob in black duroplastic PF 31

**Sample order:**  
nlm 04366-013232

**Note:**  
\* Admissible hand force to operate the handle.

**Accessory:**  
Standard handles 06355. Screw-in handles with adjustable torque 06357.



Order No. left-hand type	Order No. right-hand type	Surface finish	A min.	A max.	B	C	D	E	F	G	H	J	K	L	M	N	P	R	S	T	U	V	Clamping force N	Hand force N	Approx. weight kg
04366-003232	04366-103232	without handle	31,4	32,6	30	46	18	30	10	32	8	14	25	M6	15	17	51	57,5	M4x8	M5	-	-	800	150*	0,270
04366-004540	04366-104540	without handle	44,1	45,9	40	63	25	38	13	40	12	16	32	M8	20	22,5	69,5	78,1	M6x12	M6	-	-	1200	200*	0,600
04366-013232	04366-113232	with handle	31,4	32,6	30	46	18	30	10	32	8	14	25	M6	15	17	51	57,5	M4x8	M5	20	73	800	150*	0,300
04366-014540	04366-114540	with handle	44,1	45,9	40	63	25	38	13	40	12	16	32	M8	20	22,5	69,5	78,1	M6x12	M6	25	107	1200	200*	0,660