

Hook clamps

with collar



Material:

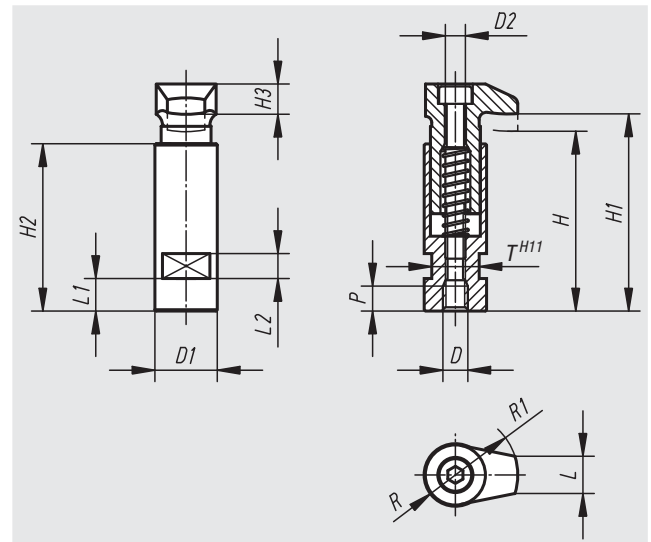
Tempered steel

Surface finish:

Heat-treated and black oxide finish

Sample order:

nln 04371-06



Order No.	D	D1	D2	H	H1	H2	H3	L	L1	L2	P	R	R1	T	Clamping force kN
04371-06	M6	20	6	56	60	53	10	11	9	8	8	9	20	17	4,82
04371-08	M8	20	6	56	60	53	10	11	9	8	8	9	20	17	8,77
04371-10	M10	25	8	72	79	67	12	15	13	10	10	12	25	19	13,9
04371-12	M12	32	10	88	96	82	16	17	18	12	12	14	32	27	20,2
04371-16	M16	40	12	109	118	102	20	20	22	12	16	18	40	32	37,8