

# Ground hook clamps

form A/B/C

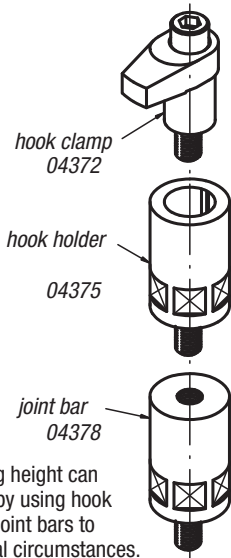


**Material:**  
Tempered steel, heat-treated

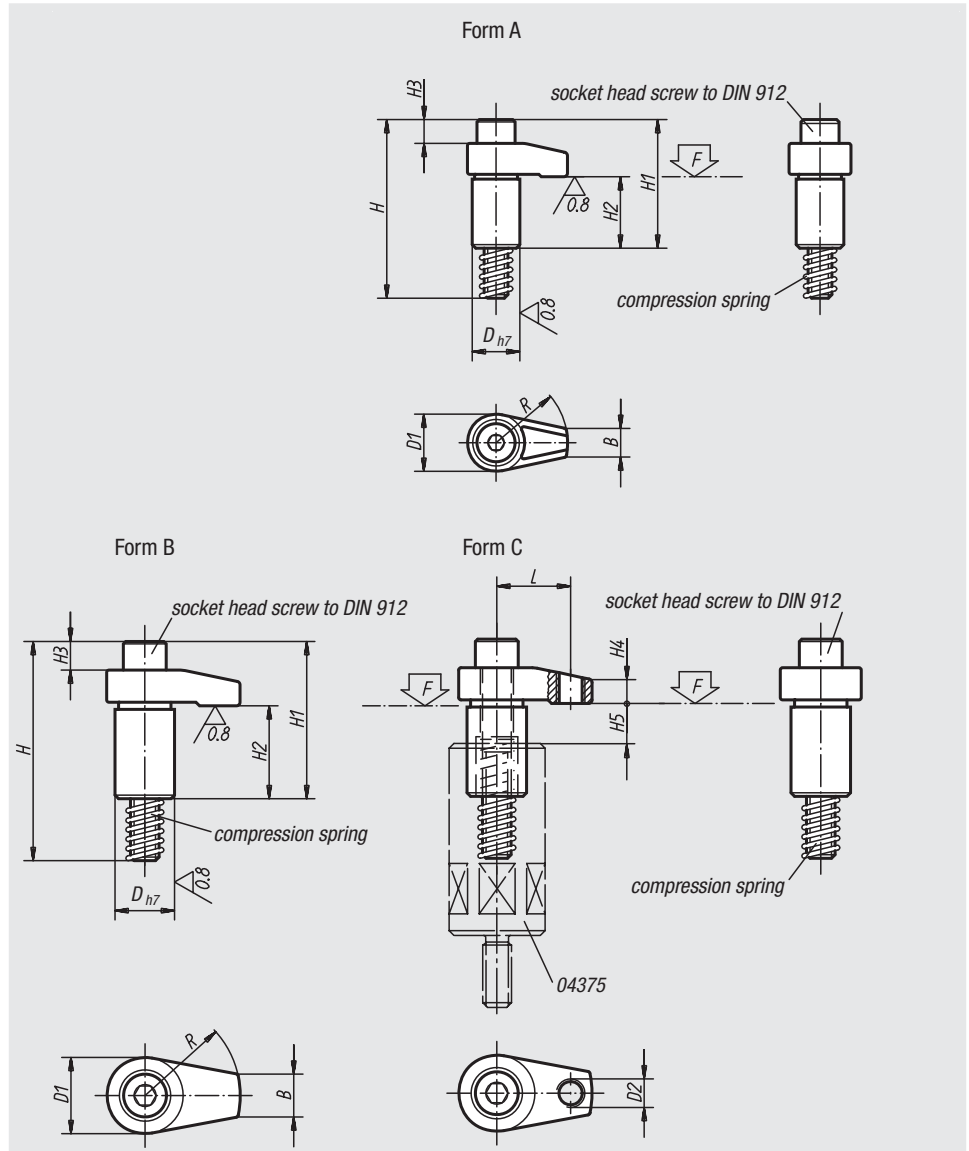
**Surface finish:**  
Black oxide finish, shaft diameter ground

**Sample order:**  
nlm 04372-216040

**Note:**  
The stated clamping forces and tightening torques are valid within the stated clamping range (H5).



The clamping height can be adjusted by using hook holders and joint bars to suit individual circumstances.



Order No.	Form	D	D1	D2	H	H1	H2	H3	H4	H5 max. clamping range	B	L	R	Socket head screw DIN 912	Tightening torque max. Nm	F max. kN	Approx. weight kg
04372-208020	B	18	22	-	58	37	23	2	7	10	10	-	20	M8x50	37,2	13,6	0,090
04372-208025	B	18	22	-	58	37	23	2	7	10	10	-	25	M8x50	32,3	10,9	0,095
04372-208030	B	18	22	-	58	37	23	2	7	10	10	-	30	M8x50	29,4	9	0,105
04372-110030	A	20	24	-	75	54	30	9	10	12	12	-	30	M10x65	37,2	13	0,162
04372-110040	A	20	24	-	75	54	30	9	10	12	12	-	40	M10x65	31,4	9,8	0,173
04372-212040	B	25	32	-	92	66	39	11	12	15	18	-	40	M12x80	58,8	17,5	0,300
04372-312140	C	25	32	M12	92	66	39	11	10	15	18	31	40	M12x80	58,8	22,6	0,295
04372-312150	C	25	32	M12	92	68	39	11	13	15	18	38	50	M12x80	49	18,5	0,353
04372-212050	B	25	32	-	92	68	39	11	12	15	18	-	50	M12x80	49	14	0,365
04372-212060	B	25	32	-	92	68	39	11	12	15	18	-	60	M12x80	45,1	11,6	0,395
04372-312160	C	25	32	M12	92	68	39	11	13	15	18	46	60	M12x80	45,1	15,2	0,390
04372-216040	B	32	36	-	101	75	39	15	15	15	22	-	40	M16x85	166,6	37,9	0,505
04372-216050	B	32	36	-	101	75	39	15	15	15	22	-	50	M16x85	147	30,4	0,575
04372-316150	C	32	36	M12	101	75	39	15	16	15	22	38	50	M16x85	147	38	0,558
04372-216060	B	32	36	-	101	75	39	15	15	15	22	-	60	M16x85	127,4	25,2	0,619
04372-316160	C	32	36	M12	101	75	39	15	16	15	22	46	60	M16x85	127,4	33	0,600