

# Tenter hook



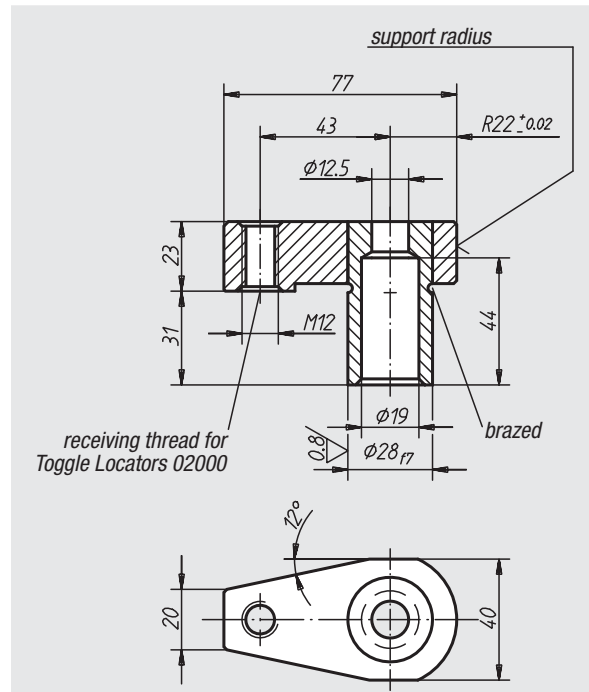
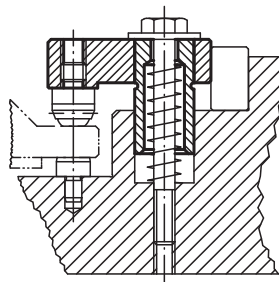
**Material:**  
Steel

**Surface finish:**  
Case-hardened, black oxide finish and ground

**Sample order:**  
nlm 04380-00

**Note:**  
The tenter hook are used as a clamp in conventional jigs. To do this, a centring hole is drilled in the body of the device. The depth of the hole is adjusted to the desired clamping level. A support is placed on the rounded part of the hook (radius 22) to take up the counterforce. It can be flat, semicircular or prismatic in shape. A DIN 933 hexagon nut is used to clamp it.

application example:



| Order No. | Approx. weight kg |
|-----------|-------------------|
| 04380-00  | 0,410             |

# Swing latch clamps

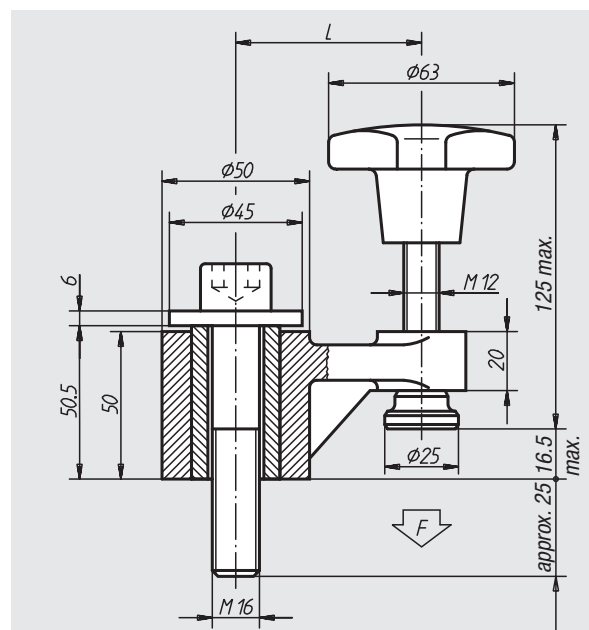
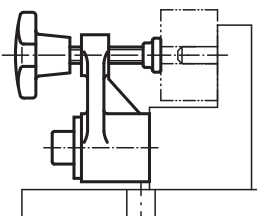


**Material:**  
Malleable cast iron body, tempered steel ring 1.1191, tempered steel screw 1.1181, hardened steel clamping pad 1.0301

**Surface finish:**  
Paint, clamping pad case-hardened

**Sample order:**  
nlm 04390-01

example:



| Order No. | L   | F kN | Approx. weight kg |
|-----------|-----|------|-------------------|
| 04390-01  | 63  | 5    | 1,400             |
| 04390-02  | 100 | 3    | 1,600             |