

Clamping pins

Material, surface finish:

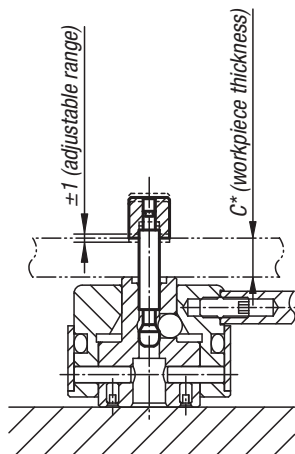
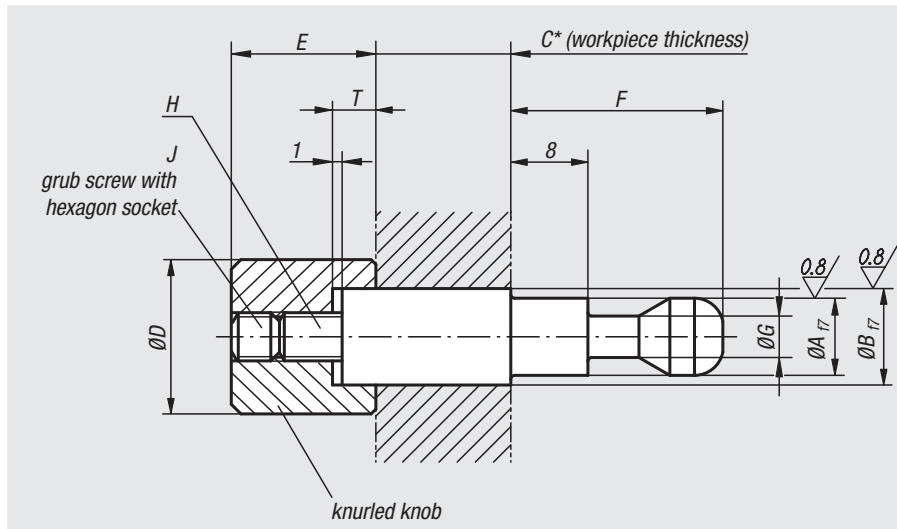
Bolt in tempered steel, heat-treated and ground; knurled knob in tempered steel, heat-treated and black oxide finish

Sample order:

nIm 04400-005050

Note:

* Customer can adapt the clamping pin according to the workpiece thickness.



Order No.	A	B	C	D	E	F	G	H	J	T	Suitable for	Approx. weight g
04400-005050	5	5	50	10	10	17	3	M3	M3x4	3	04400-3240...	16
04400-006050	5	6	50	10	10	17	3	M3	M3x4	3	04400-3240...	19
04400-008080	8	8	80	16	15	22	4,3	M5	M5x5	4,5	04400-4050...	60
04400-010080	8	10	80	16	15	22	4,3	M5	M5x5	4,5	04400-4050...	77

Clamping pins (heavy)

Material, surface finish:

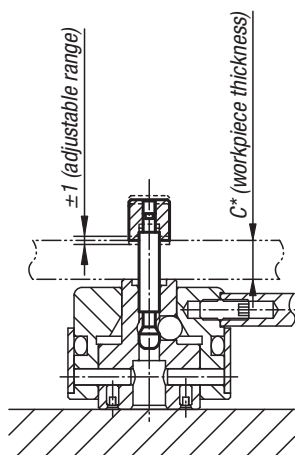
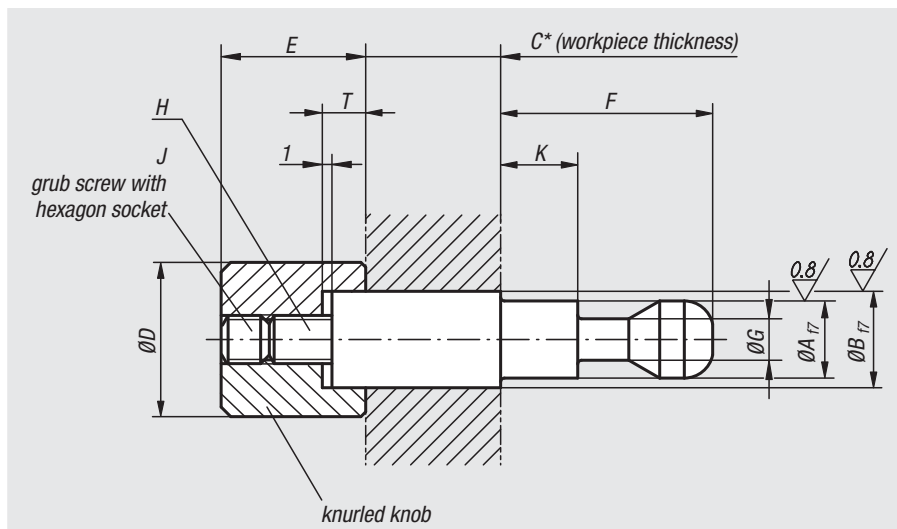
Bolt in tempered steel, heat-treated and ground; knurled knob in tempered steel, heat-treated and black oxide finish

Sample order:

nIm 04400-412100

Note:

* Customer can adapt the clamping pin according to the workpiece thickness.



Order No.	A	B	C	D	E	F	G	H	J	K	T	Suitable for	Approx. weight g
04400-412100	12	12	100	18	23	38	6,5	M8	M8x8	21,5	7	04400-506501	70-160
04400-416100	12	16	100	24	23	38	6,5	M8	M8x8	21,5	7	04400-506501	175-265
04400-516120	16	16	120	24	29	48	9,5	M10	M10x10	28	9	04400-638001	160-350
04400-520120	16	20	120	30	29	48	9,5	M10	M10x10	28	9	04400-638001	325-515