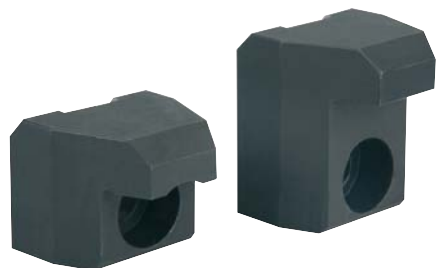


# Clamping jaws

for floating clamps



**Material:**

Hardened steel

**Surface finish:**

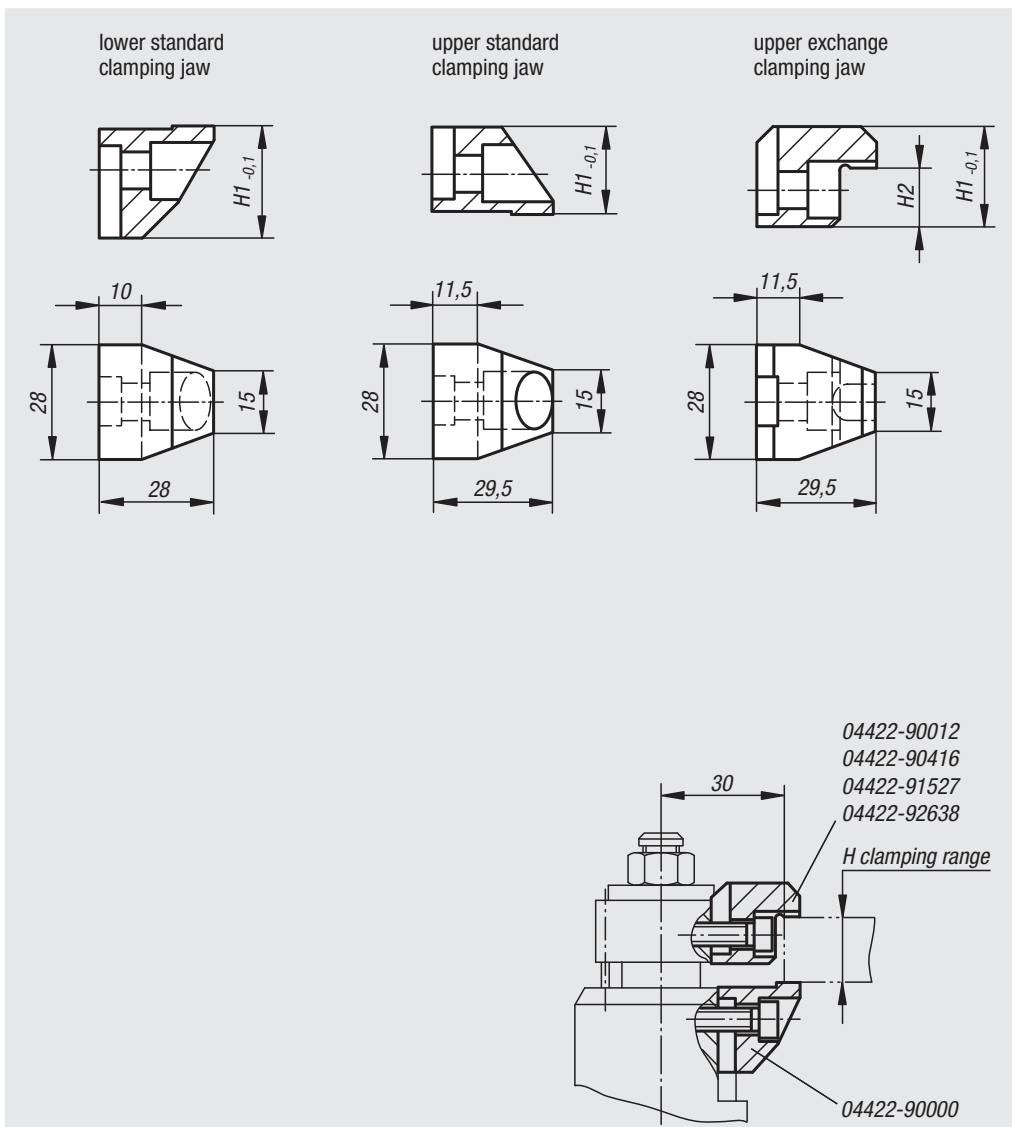
Nitrided and black oxide finish

**Sample order:**

nIm 04422-90000

**Note:**

The clamping jaws can be used for floating clamps to increase the clamping range.



Order No.	Surface finish	H clamping range	H1	H2	Approx. weight kg
04422-90000	lower standard clamping jaw	-	26,8	-	0,082
04422-90012	upper standard clamping jaw	0 - 12	21	-	0,071
04422-90416	upper exchange clamping jaw	4 - 16	24,5	3,5	0,093
04422-91527	upper exchange clamping jaw	15 - 27	24,5	14,5	0,089
04422-92638	upper exchange clamping jaw	26 - 38	35,5	25,5	0,131