

# Round talon grip



**Material:**  
Steel

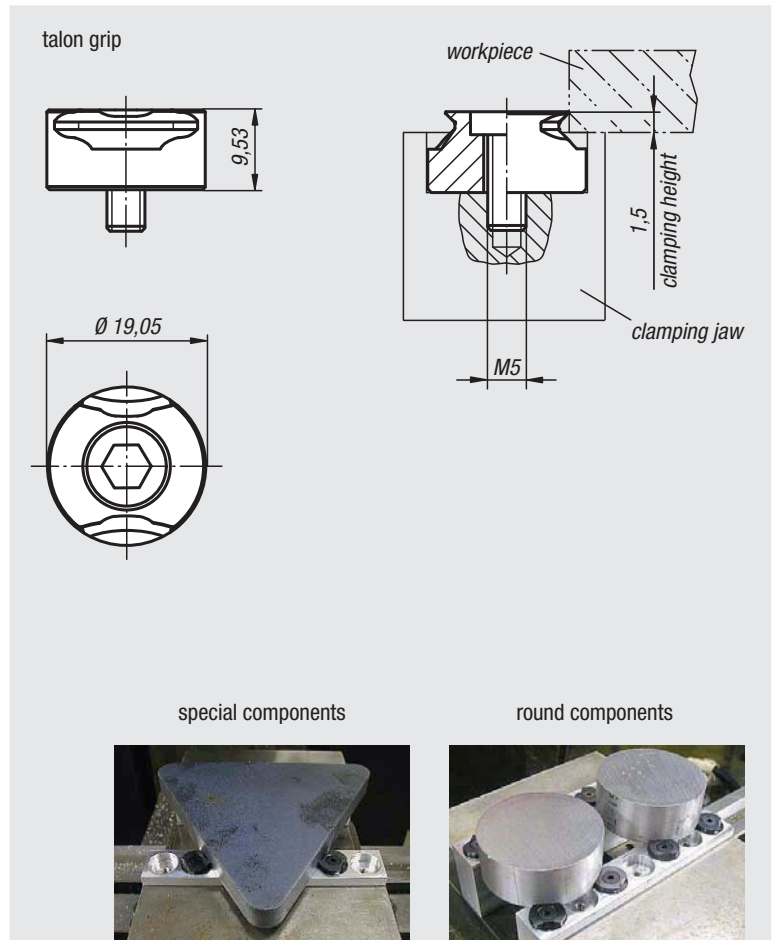
**Surface finish:**  
Hardened (52+2 HRC) and black oxide finish.

**Sample order:**  
nlm 04440-0919

**Note:**  
The talon grips are provided for installation in the clamping jaws of work-holders. A counterbore with a threaded hole is sufficient for the installation. The sharp edges of the clamping claws press into the workpiece and prevent lateral and horizontal movement.

- Form-fit clamping allows high cutting speeds.
- Low clamping height of 1.5 mm (saves material costs).
- The contour of the claws produces a slight pull-down spring return.

With the talon grips you increase the applications of your machine work-holder. Round, contoured and oversized workpieces can be quickly and securely clamped by using the clamping claws.



Order No.	Surface finish	Approx. weight g
04440-0919	talon grip	17