

Adjustable eccentric type edge clamps



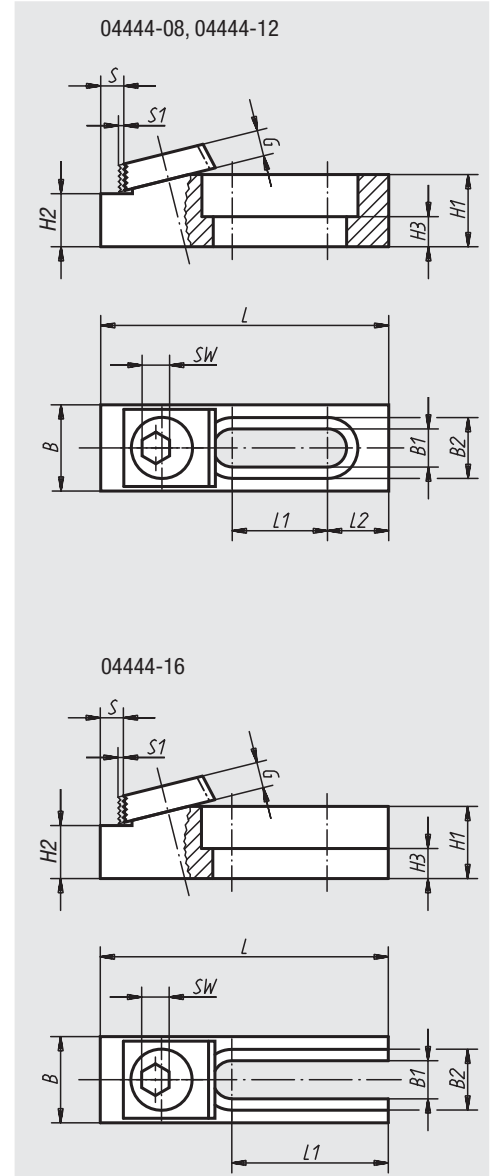
Material:
Steel

Surface finish:
Body heat-treated, black oxide finish, ground support surface;
clamping disc case hardened and brass-coated

Sample order:
nlm 04444-12

Note:
Two stops used with one or two adjustable eccentric type edge clamps can be used to make up a tailored cost-effective clamping system.

On request:
Spare eccentric screws.



Order No.	suitable fastening screw	L	L1	L2	B	B1	B2	H1	H2	H3	S	S1	G	SW	Oblong hole	Clamping force kN	Tightening torque max. Nm	Approx. weight kg
04444-08	M8	63,5	21	13,5	19	8,4	13,4	15,9	11,684 -0,013	6,6	6,3	1,2	5,3	7	closed	8,9	28	0,120
04444-12	M12	95,1	42,7	12,7	28,5	13	19,8	15,9	12,192 -0,013	6,9	7,1	2	9,5	8	closed	17,8	88	0,260
04444-16	M16	107	46,3	-	38	17	24,8	41	35,001 ±0,006	21	8,3	2,5	12,7	12	open	26,7	135	1,000