

Adjustable stops

**Material:**

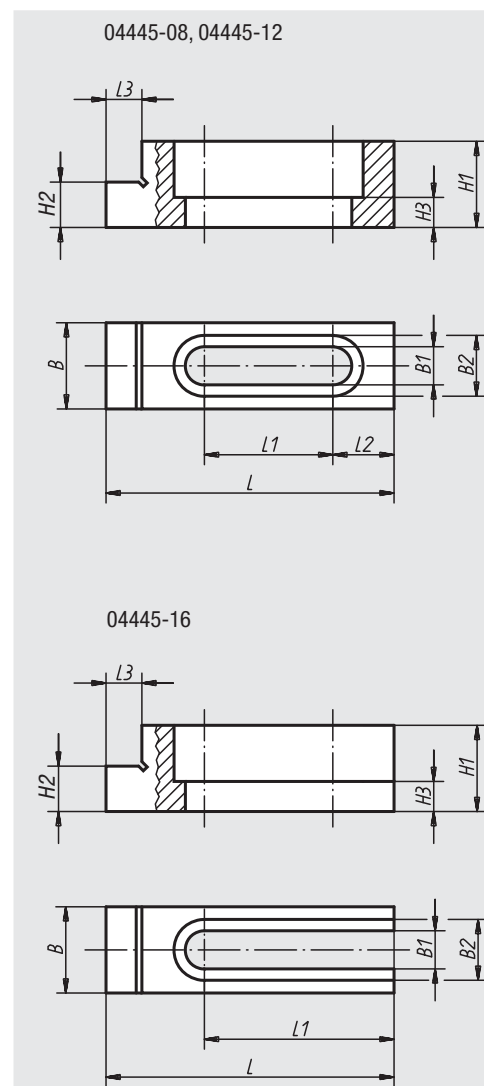
Steel

Surface finish:Heat-treated, black oxide finish;
ground support surfaces and stops**Sample order:**

nlm 04445-12

Note:

Two stops used with one or two adjustable eccentric type edge clamps can be used to make up a tailored cost-effective clamping system.



Order No.	suitable fastening screw	L	L1	L2	L3	B	B1	B2	H1	H2	H3	Oblong hole	Approx. weight kg
04445-08	M8	63,5	28,3	13,5	7,9	19	8,4	13,4	19	11,684 -0,013	6,6	closed	0,090
04445-12	M12	95,2	42,7	12,7	7,9	28,5	13,4	19,8	22	12,192 -0,013	6,9	closed	0,280
04445-16	M16	107	46,2	-	9,5	38	17	24,8	50,7	35,001 ±0,006	21,3	open	1,000