

Narrow edge clamps

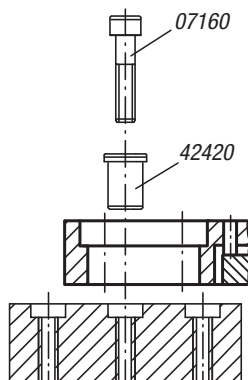
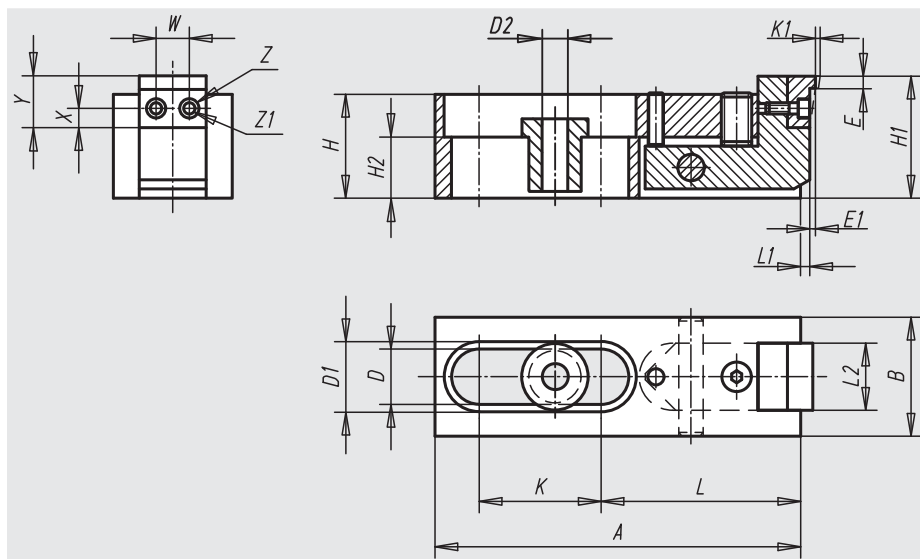


Material:
Base body in steel; clamping jaw in hardened steel;
centring bush with collar in tempered steel

Surface finish:
Black oxide finish; clamping jaw case-hardened

Sample order:
nlm 04480-006

Note:
Due to their flat construction, these handy narrow edge clamps are suitable for machining low parts. These hardened jaws clamp forward and downward simultaneously due to the wedging effect.



Order No.	A	B	D	D1	D2	E	E1	H	H1	H2	K	K1	L	L1	L2	W	X	Y	Z	Z1	Clamping force kN	Approx. weight kg
04480-006	80	24	12,2	16	6,5	2,5	0,6	21	25,5	9	25,5	2	44,5	2,5	13,5	7	4,5	11	5	3	3	0,230
04480-010	120	39	18,2	24	10,5	4	1	34	40	20	40,5	2,5	65,5	4	21,5	10	6	15	8	4,5	16	0,950
04480-016	186	60	26,2	35	17	7	1,5	51	59	22	60,5	4	105	6,5	35,5	16	9	24	14	9	31	3,250