

# Side clamps

with thrust bolts

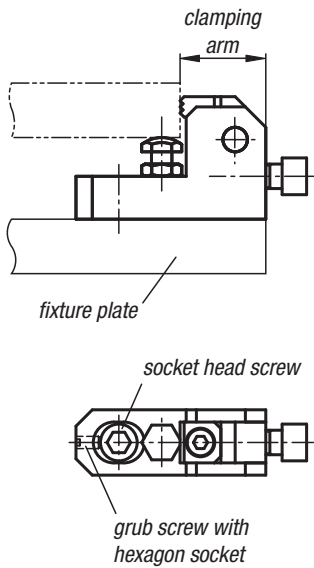
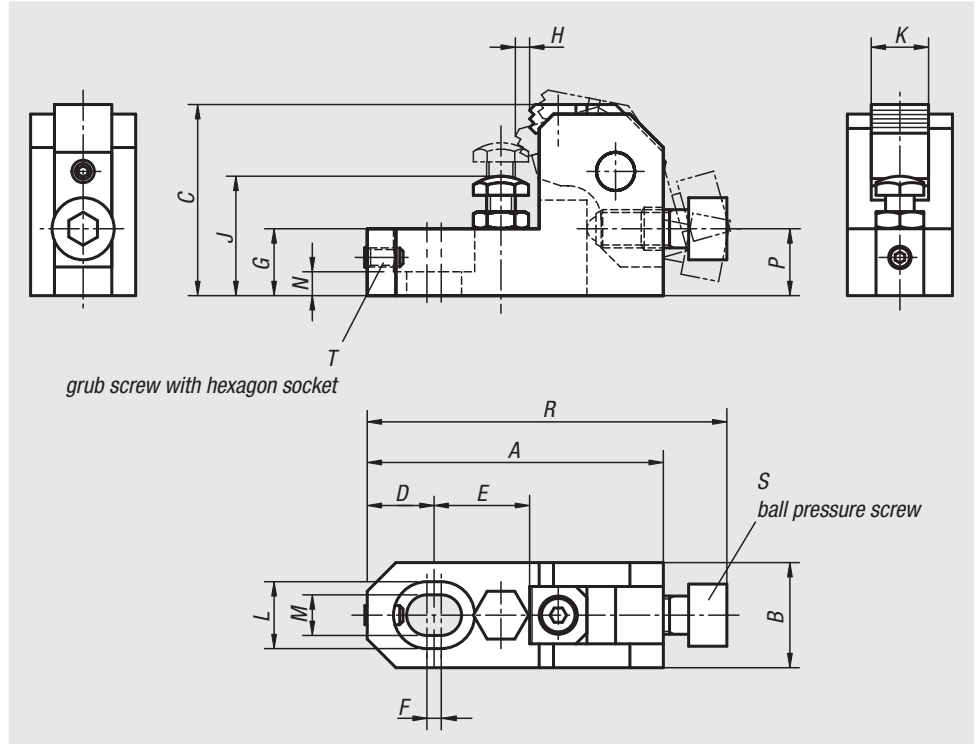


**Material, surface finish:**

Housing in tempered steel, heat-treated and black oxide finish;  
arm in tempered steel, black oxide finish;  
jaw in tool steel, heat-treated and black oxide finish

**Sample order:**

n1m 04485-02508



Order No.	A	B	C	D	E	F	G	H	J	K	L	M	N	P	R	S	T	Clamping force N	Tightening torque Nm	Approx. weight kg
04485-02508	62	22	40	14	20	3	14	3	25-32	12	14	8,5	5	14	75,5	M8x20	M4x8	6000	15	0,230
04485-03210	78	25	50	18	25	4	18	3,7	32-40	16	17,5	11	7	17,5	95	M10x25	M5x10	10000	30	0,410
04485-04012	93	32	60	21	30	5	21	4,5	40-48	20	20	13	8	21	113	M12x30	M6x12	17000	65	0,750
04485-04816	124	38	80	28	40	6	27	6	48-63	25	26	17	10	28	151	M16x40	M8x16	25000	130	1,570

01000  
02000  
03000  
04000  
05000  
06000  
07000  
08000  
09000  
20000  
21000  
22000  
23000