

Side stops

**Material:**

Body: nodular graphite cast iron (GJS);
jaw: hardened tempered steel

Surface finish:

painted black;
jaw: polished

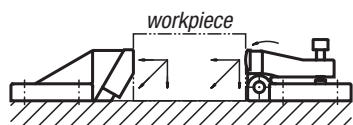
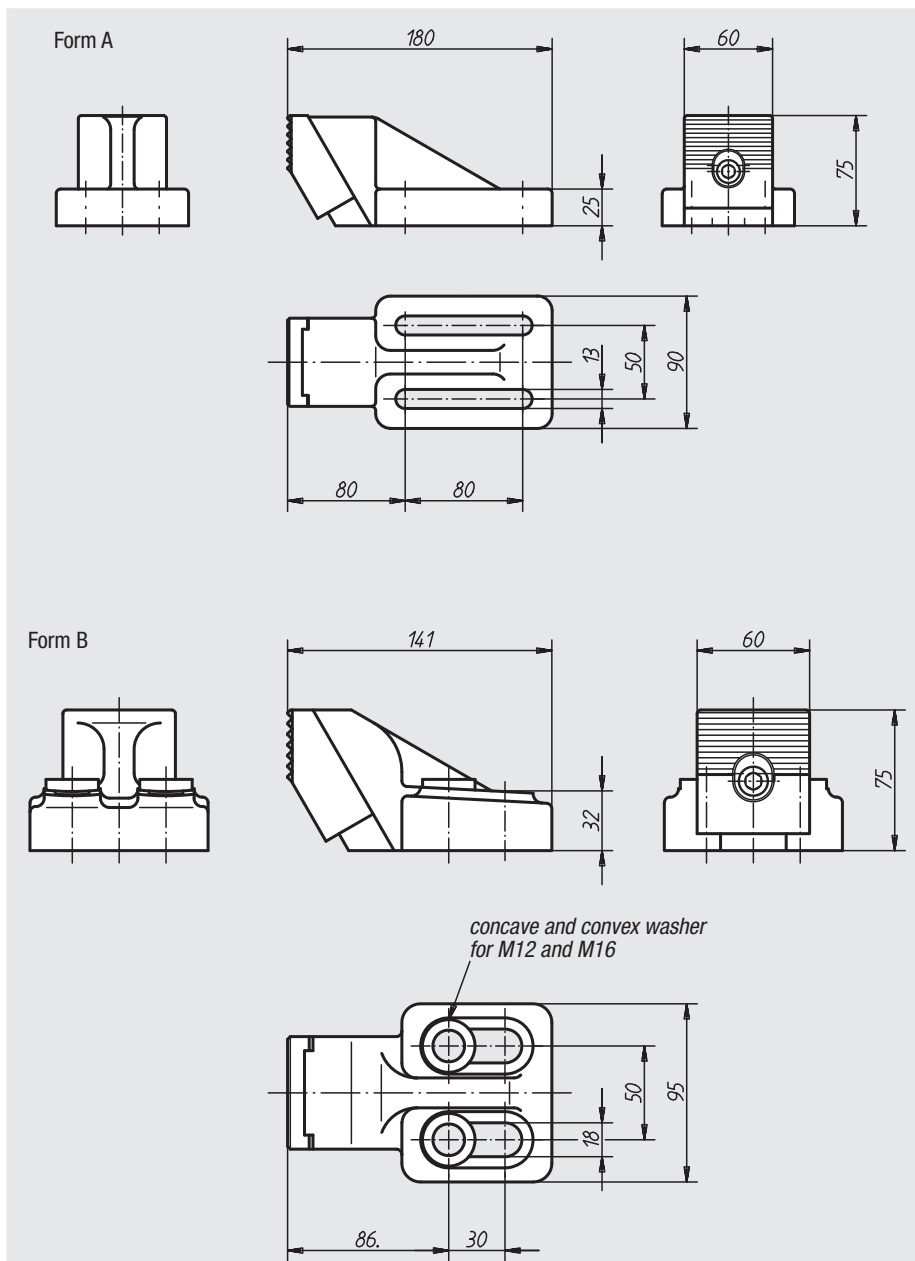
Sample order:

nIm 04540-01

Note:

The side clamp presses the part for machining against the side stop, at the same time the part is prevented from lifting up.

The side clamp and side stop are tightened with DIN 912 cylinder bolts. Secure clamping is guaranteed where the side clamp and side stop are used in pairs.



Order No.	Form	Approx. weight kg
04540-01	A	2,900
04540-02	B	2,400