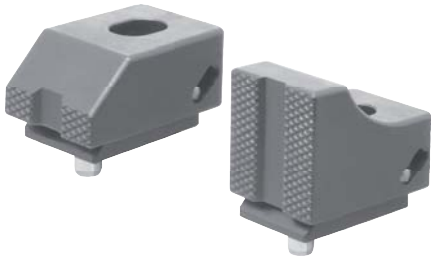


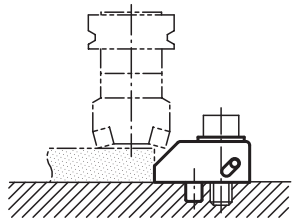
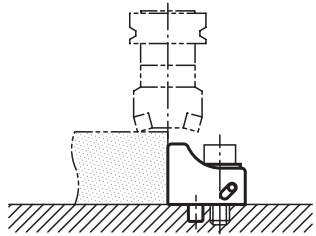
Toe clamps



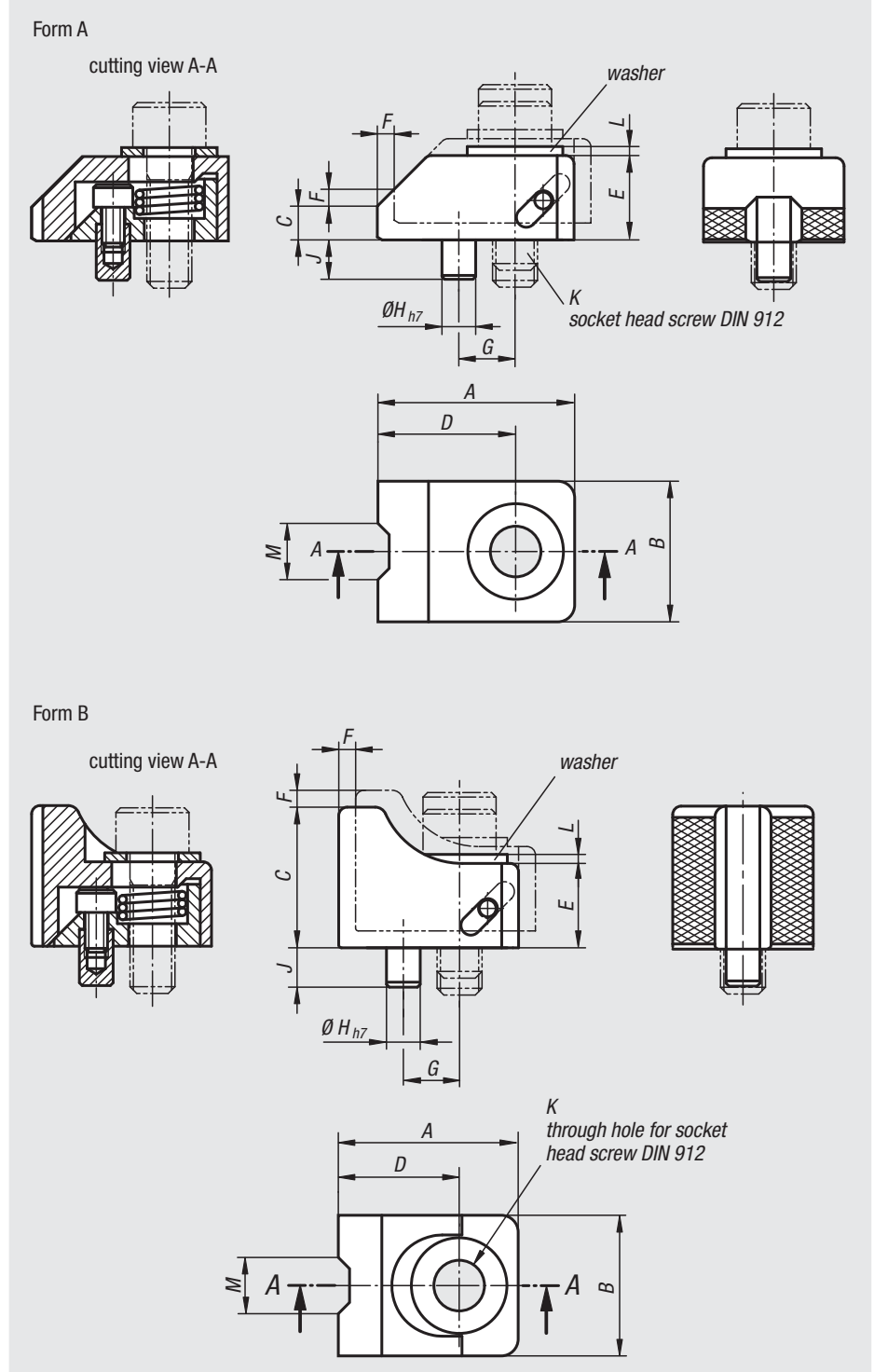
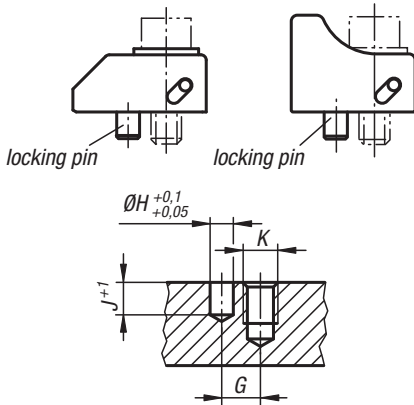
Material:
Tempered steel

Surface finish:
Heat-treated and black oxide finish

Sample order:
nlm 04570-0806



Installation instruction:



Order No.	Form	A	B	C	D	E	F	G	H	J	K	L	M	Clamping force N	Tightening torque Nm	Approx. weight kg
04570-0806	A	35	25	6	24,5	15	3	10	6	7	M8	1,6	10	7000	25	0,100
04570-1008	A	43	30	8	29	19	4	12	6	7	M10	2	11	8500	50	0,185
04570-1209	A	54	35	9	37	23	5	16	8	10	M12	2,3	12	20000	90	0,320
04570-1610	A	65	40	10	45	25	6	20	10	10	M16	3,2	14	40000	200	0,520
04570-0825	B	32	25	25	21,5	15	3	10	6	7	M8	1,6	10	7000	25	0,115
04570-1032	B	40	30	32	26	19	4	12	6	7	M10	2	11	8500	50	0,225
04570-1238	B	50	35	38	33	23	5	16	8	10	M12	2,3	12	20000	90	0,390
04570-1645	B	60	40	45	40	25	6	20	10	10	M16	3,2	14	40000	200	0,640

01000 02000 03000 04000 05000 06000 07000 08000 09000 20000 21000 22000 23000