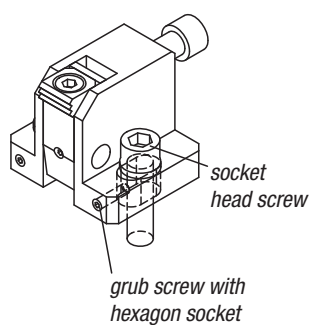
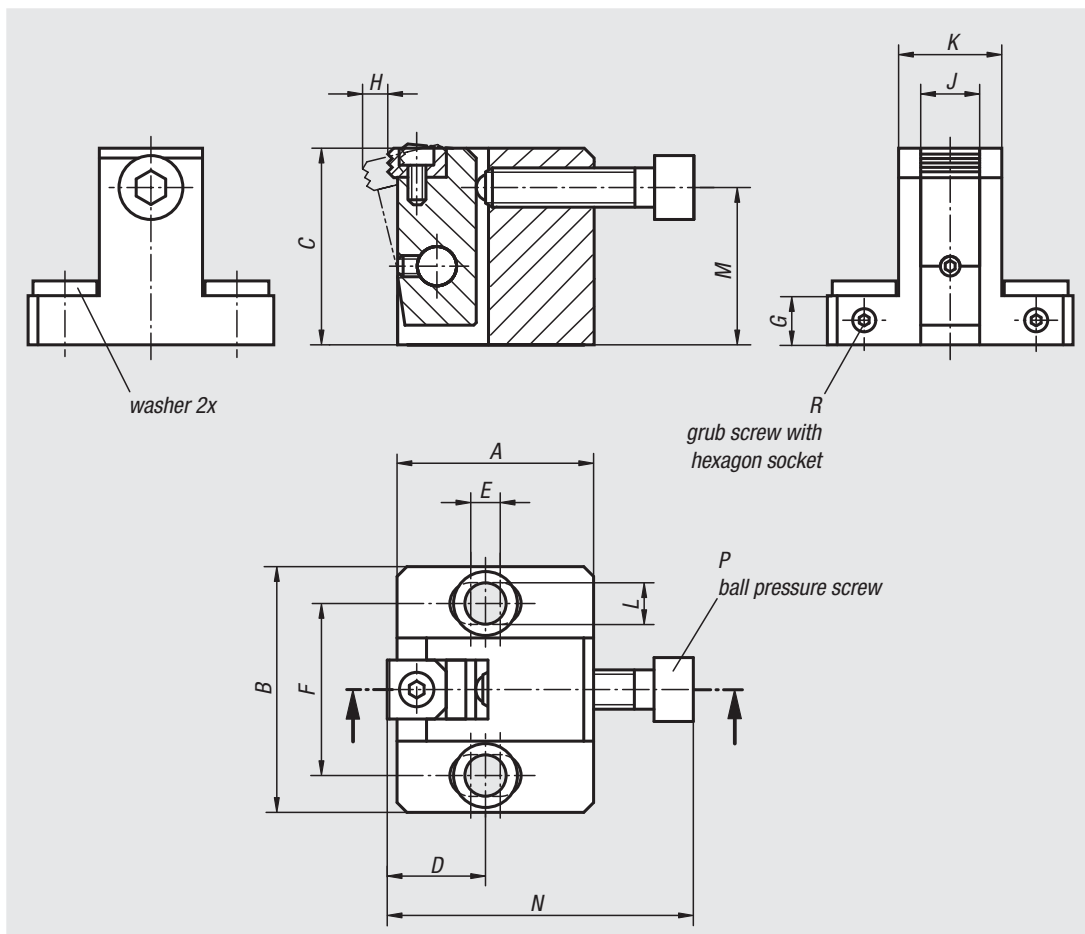


Side clamps



Material, surface finish:
 Housing in tempered steel, black oxide finish;
 arm in tempered steel, heat-treated and black oxide finish;
 jaw in tool steel, heat-treated and black oxide finish

Sample order:
 nlm 04575-080400



Order No.	A	B	C	D	E	F	G	H	J	K	L	M	N	P	R	Clamping force N	Tightening torque max. Nm	Approx. weight kg
04575-080400	40	50	40	20	6	35	10	5,3	12	21	8,5	32	62,5	M8x35	M4x10	15000	25	0,330
04575-100500	50	65	50	25	8	45	12	7,1	16	27	11	40	74	M10x40	M4x12	27000	50	0,660
04575-120600	60	70	60	30	10	50	15	8	20	31	13	48	91	M12x50	M5x15	38000	90	1,060
04575-160800	80	90	80	40	15	65	20	10,2	25	39	17	64	115	M16x60	M6x20	46000	130	2,380