

Side clamps

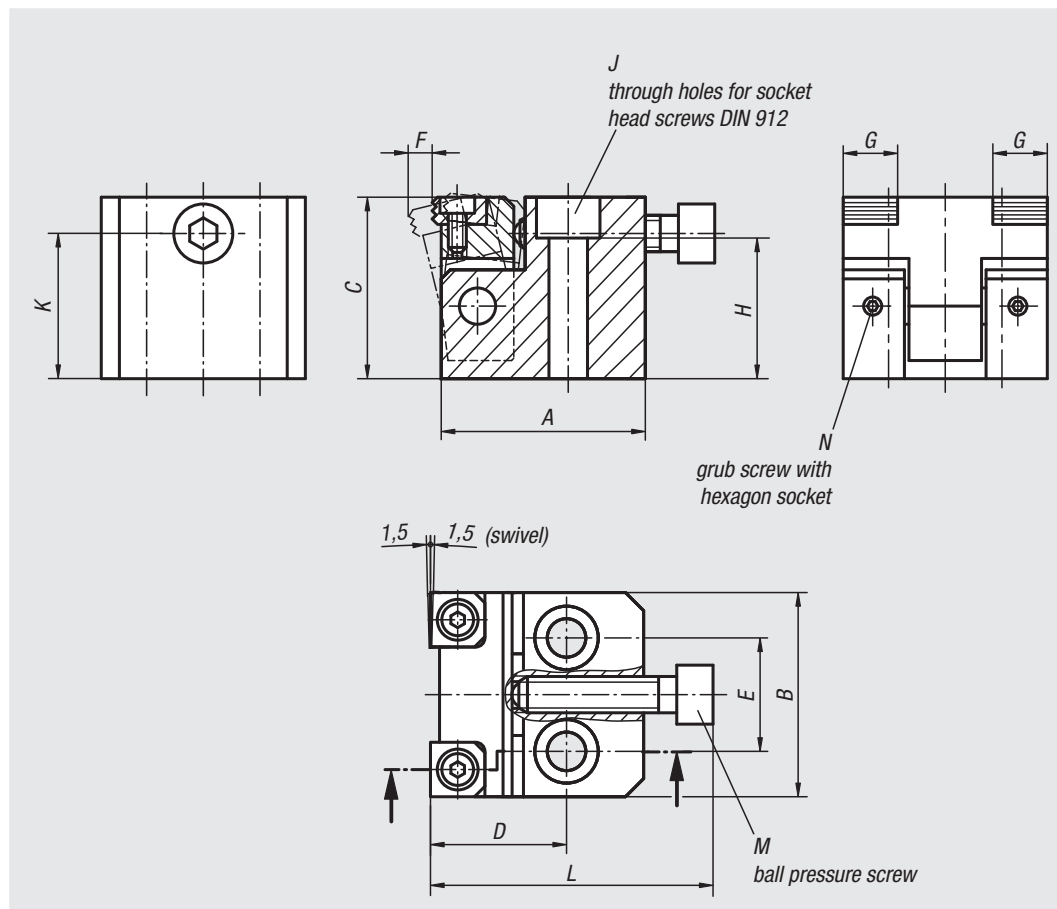


Material, surface finish:

Base body in tempered steel, black oxide finish;
 arm in tempered steel, heat-treated and black oxide finish;
 jaw in tool steel, heat-treated and black oxide finish

Sample order:

n1m 04578-080400



Order No.	A	B	C	D	E	F	G	H	J	K	L	M	N	Clamping force N	Tightening torque Nm	Approx. weight kg
04578-080400	45	45	40	30	25	5,3	12	31	M8	32	62,5	M8x35	M4x4	15000	25	0,550
04578-100500	55	55	50	40	30	7,1	16	39	M10	40	74	M10x40	M4x4	27000	50	1,000
04578-120600	65	65	60	45	35	8	20	47	M12	48	91	M12x50	M5x5	38000	90	1,690

01000
02000
03000
04000
05000
06000
07000
08000
09000
20000
21000
22000
23000