

# Compact tightener


**Material:**

Casing: aluminium; clamping lever: hardened steel; clamping screw: quality class 10.9

**Surface finish:**

Casing: polished; tightening lever: ground and with black oxide finish

**Sample order:**

nIm 04625-108

**Note:**

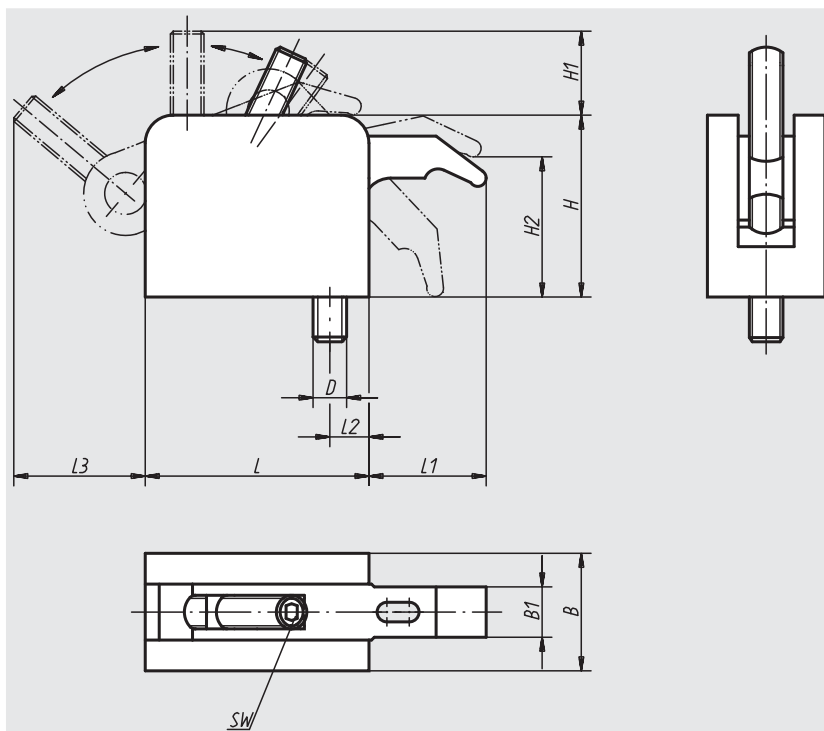
The clamping arm of the compact tightener is fully retractable.

Technical benefits of the compact tightener:

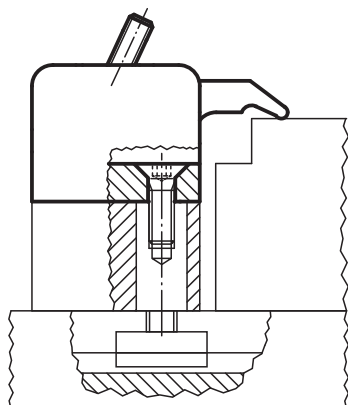
- unhindered change of part for machining.
- infinitely variable range of adjustment.
- high self-limiting clamping force.
- variable height structure (vertical stands see 04626).
- high clamping force with no great strength required.
- clamp also suitable as stop.

**On request:**

Longer tightening arm (L1).



application example:



Order No.	Size	L	L1	L2	L3	B	B1	H	H1	H2	D	SW	Clamping force kN	Approx. weight kg
04625-106	1	53	27	11	29	32	11	43	17	30	M6	4	5	0,250
04625-108	1	53	27	11	29	32	11	43	17	30	M8	4	5	0,250
04625-210	2	80	40	17	45	42	18	65	30	50	M10	6	10	0,700
04625-212	2	80	40	17	45	42	18	65	30	50	M12	6	10	0,700
04625-312	3	107	53	22	57	53	25	87	32	67	M12	8	15	1,700