

Vertical stands

with tension bolt



Material:

Vertical stand in aluminium;
tension bolt in steel

Surface finish:

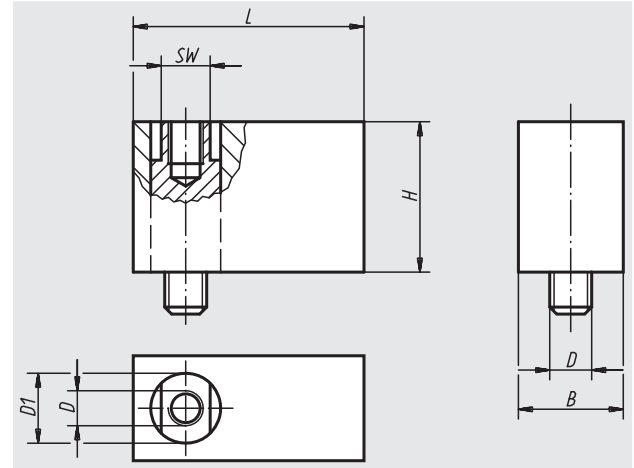
Vertical stand: polished; tension bolt: black oxide finish

Sample order:

nIm 04626-108

Note:

The vertical stand is used as a height-adjusting element for the compact tightener (04625).



Order No.	Size	L	B	H	D	D1	SW	Approx. weight kg
04626-106	1	53	32	30	M6	15	13	0,160
04626-108	1	53	32	30	M8	15	13	0,160
04626-210	2	80	42	50	M10	25	19	0,550
04626-212	2	80	42	50	M12	25	19	0,550
04626-312	3	107	53	70	M12	30	24	1,250