

Tightening nuts


Material:

Housing in tempered steel;
cover in aluminium

Surface finish:

Carbonitrided

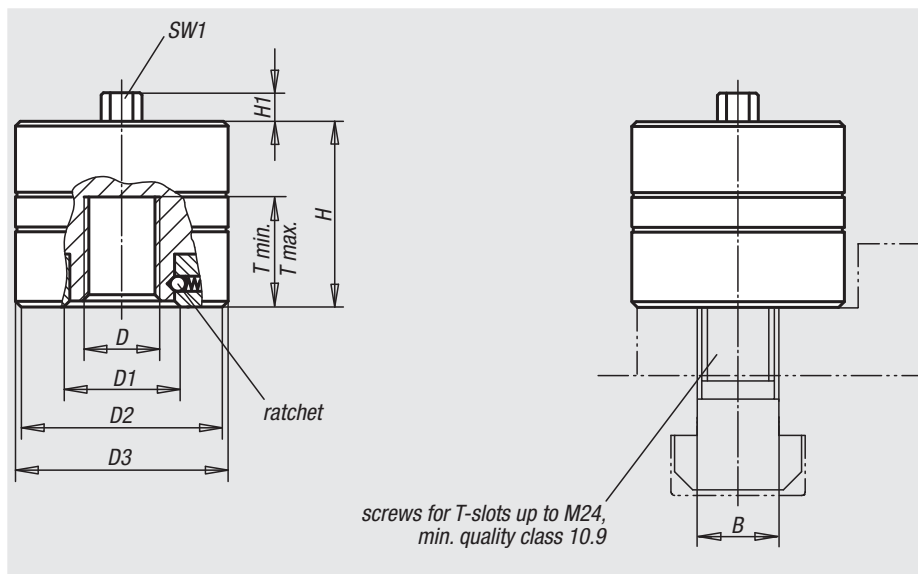
Sample order:

nIm 04750-6012

Note:

The main feature of the mechanical tightening nut is an integrated planetary gear to simplify the manual clamping torque. After manually adjusting the tightening nut up to the clamp, the drive groove of the planetary gear is engaged by turning the operating hexagon „SW1“ to the right. The tightening nut is self-limiting in every clamping position. The tightening nut can be used for many clamping tasks in mechanical engineering, especially for clamping parts for pressing and stamping. Suitable bolts for t-slots see 07040.

The tightening nuts are supplied without bolts for t-slots.



Tightening nut for clamping of chain wheels during milling



Order No.	D	D1	D2	D3	H	H1	T min.	T max.	B	SW1	Clamping force max. kN	Max. static stress kN	Tightening torque max. Nm	Approx. weight kg
04750-6012	M12	32	60	62	50	10	16	24	14	13	60	70	20	0,900
04750-6016	M16	32	60	62	50	10	16	24	18	13	60	120	25	0,900
04750-6020	M20	32	60	62	50	10	16	24	22	13	60	120	30	0,900
04750-10016	M16	42	71	73	70	10	25	35	18	15	100	130	35	1,800
04750-10020	M20	42	71	73	70	10	25	35	22	15	100	200	40	1,800
04750-10024	M24	42	71	73	70	10	25	35	28	15	100	200	45	1,800