

Tension nuts

with star or T-grip



Material:

Housing in tempered steel; cover in aluminium; star grip in thermoplastic; T-grip in duroplastic

Surface finish:

Carbonitrided; star and T-shaped grips: black

Sample order:

nIm 04751-4010

Note:

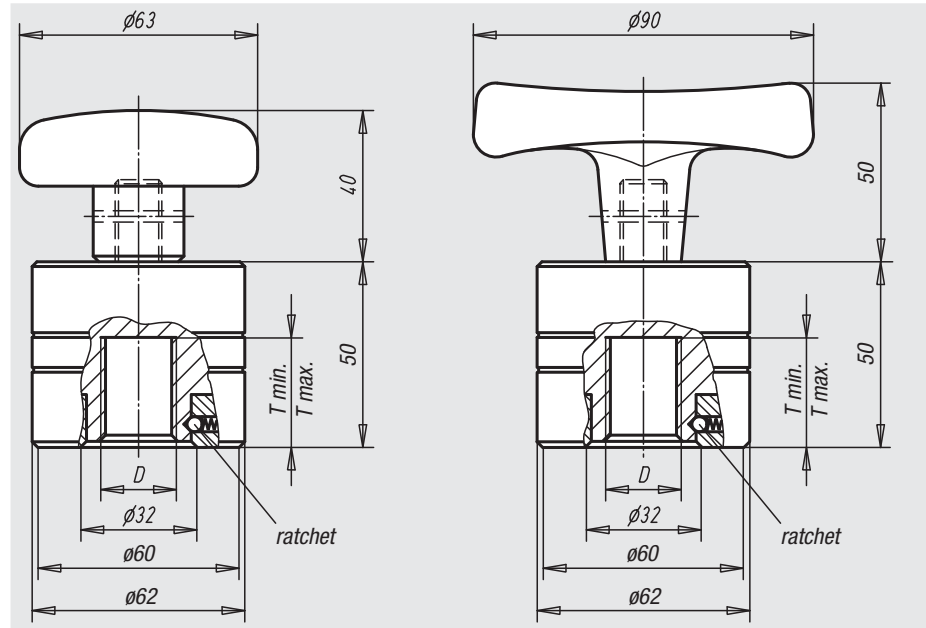
The tightening nut with star or T-grip are an improvement based on the tried and tested tightening nut 04750. A star or T-grip replaces the operating hexagon and an added mesh mechanism complements it. An integrated planetary gear serves as the force multiplier, the meshing mechanism triggers the automatic switch from the placing movement to the actual application of force. As a result, considerable clamping forces can be achieved with the simplest manual operation, with no additional ring or socket spanner. The robust construction and self-limiting function guarantee a high level of operating safety. Tightening nuts are used far beyond mechanical engineering for purposes in which high tension and clamping forces are required with the least possible expense. Tightening nuts are maintenance-free under normal operating conditions (max. 120 °C).

The threaded bolt must have a minimum quality class of 10.9.

In the case of thread diameters of less than M16, threaded bolts (screws) with a quality class of 12.9 should be used or the maximum admissible static load must be reduced.

Advantages:

- simple, manual operation.
- high tension forces due to force reinforcement.
- rapid adjustment due to automatic conversion.
- high-level operating safety due to self-limitation.



Order No.	Surface finish	D	T min.	T max.	Clamping force max. kN	Max. static stress kN	Tightening torque max. Nm	Approx. weight kg
04751-4010	Tightening nut with star grip	M10	16	24	40	50	15	1,000
04751-4012	Tightening nut with star grip	M12	16	24	40	70	15	1,000
04751-4016	Tightening nut with star grip	M16	16	24	40	120	15	1,000
04751-4020	Tightening nut with star grip	M20	16	24	40	120	15	1,000
04751-40102	Tightening nut with T-grip	M10	16	24	40	50	25	1,000
04751-40122	Tightening nut with T-grip	M12	16	24	40	70	25	1,000
04751-40162	Tightening nut with T-grip	M16	16	24	40	120	25	1,000
04751-40202	Tightening nut with T-grip	M20	16	24	40	120	25	1,000