

# Horizontal, quick-acting clamps

with straight foot

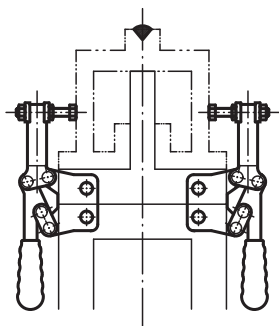
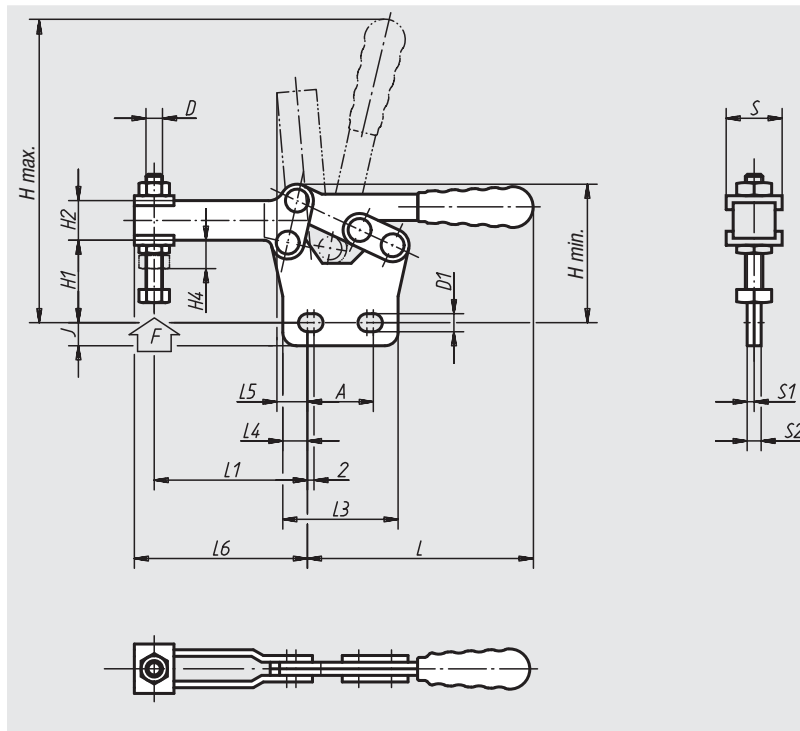


**Material:**  
Sheet metal DD11 1.0332.

**Surface finish:**  
Steel parts galvanised,  
axial bolts tempered,  
plastic handle oil-resistant

**Sample order:**  
nIm 05130-08

**Note:**  
See 05200 – 05280 for accessories.



Order No.	L	L1 min.	L1 max.	L3	L4	L5	L6	H min.	H max.	H1	H2	H4	A min.	A max.	D	D1	J	S	S1	S2	F kN	Plastic grips	Approx. weight kg
05130-05	76	18	39	35	7,5	10	44	42	93	25	12	10	16	20	M5x35	5,5	7	16	2	4	0,8	05200-200	0,095
05130-06	106	26	51	45	8,5	14	60	58	132	36	14	11	24	28	M6x48	5,5	6,5	19	3	6	1	05200-205	0,200
05130-08	140	34	74	55	13,5	20	82	74	168	44	16	14	24	28	M8x60	7	8	22	3	6	2,3	05200-210	0,360
05130-10	172,5	40	90	65	10,5	20,5	100	96	213	61	20	18	40	44	M10x70	9	9	26	3,5	7	3,5	05200-215	0,510
05130-12	215	54	113	80	18	29	130	112	270	70	24	21	40	44	M12x80	9	12	30	4	8	4,6	05200-220	0,790

01000  
02000  
03000  
04000  
05000  
06000  
07000  
08000  
09000  
20000  
21000  
22000  
23000