

Mini clamps

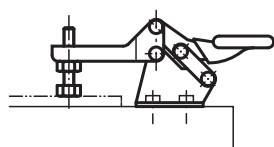
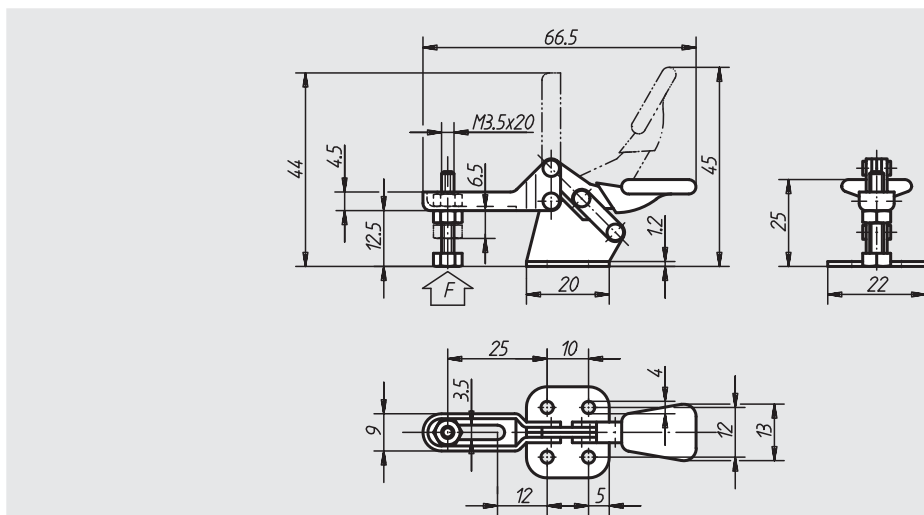


Material:
Stainless steel 1.4300

Surface finish:
Polished, handle with plastic coating: oil-resistant

Sample order:
nlm 05140-01

Note:
In the clamped state, the handle lies horizontally.



Order No.	F (N)	Approx. weight (kg)
05140-01	250	0,020

Horizontal, quick-acting clamps

with slide rod

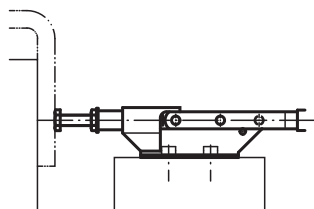
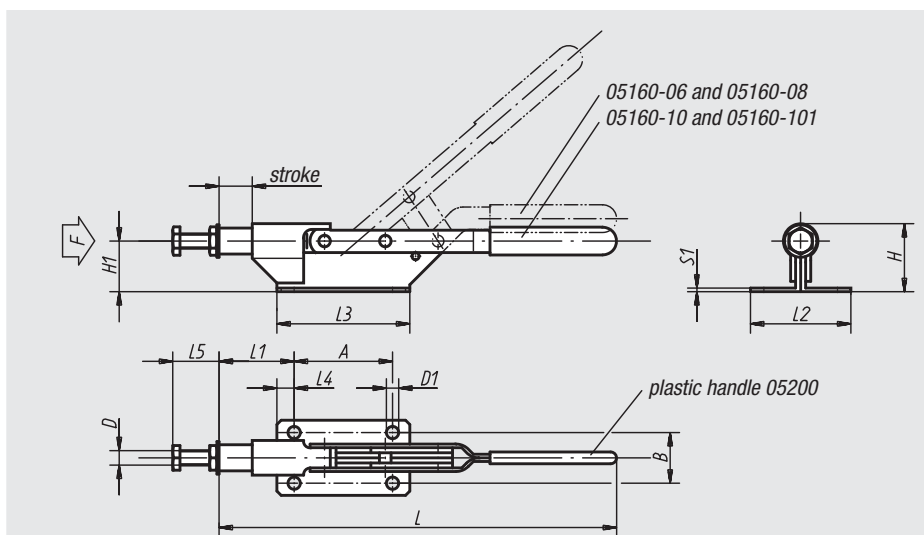


Material:
Sheet metal DD11 1.0332.

Surface finish:
Steel parts galvanised, axial bolts tempered, plastic handle oil-resistant

Sample order:
nlm 05160-10

Note:
The 05160-06 and 05160-08 versions have a swan-necked clamping lever.
See 05200 – 05280 for accessories.



Order No.	L	L1	L2	L3	L4	L5 min.	L5 max.	B	H	H1	A	Stroke	D	D1	S1	F (kN)	Plastic grips	Approx. weight (kg)
05160-06	178	40	40	75	10	13	23	28	33	25	55	15	M6	6	2	1	05200-110	0,300
05160-08	255	49	45	85	12,5	14	26	30	42	31,5	60	22	M8	6,5	2,5	2	05200-125	0,490
05160-10	275	52	52	92	12	25	35	35	47	35,5	68	22	M10	8,5	2,5	3	05200-125	0,600
05160-101	300	62	58	100	12,5	25	36	40	59	46	75	26	M10	9	3	4	05200-135	0,900