

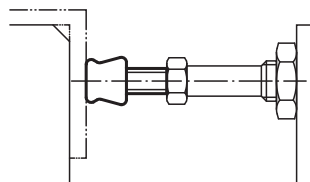
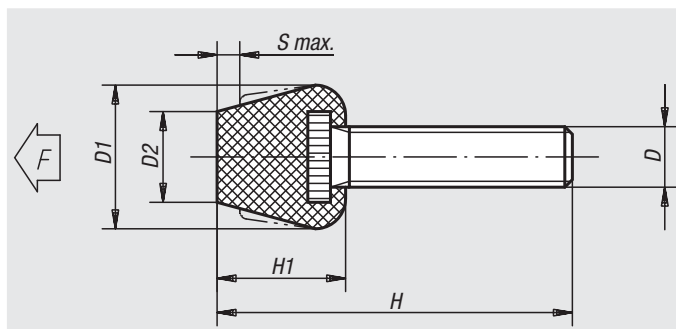
Neoprene pressure screws



Material:
Bolt in tempered steel;
thrust member in neoprene

Surface finish:
Neoprene sprayed on to the threaded part

Sample order:
nlm 05260-08



Order No.	H	H1	D	D1	D2	S max.	F max. N	Approx. weight kg
05260-08	63	17	M8x46	19	12	3	750	0,030
05260-081	43	17	M8x26	19	12	3	750	0,019
05260-10	80	18	M10x61	19	14	3,5	1000	0,042
05260-101	54	18	M10x36	19	14	3,5	1000	0,025

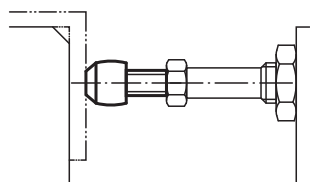
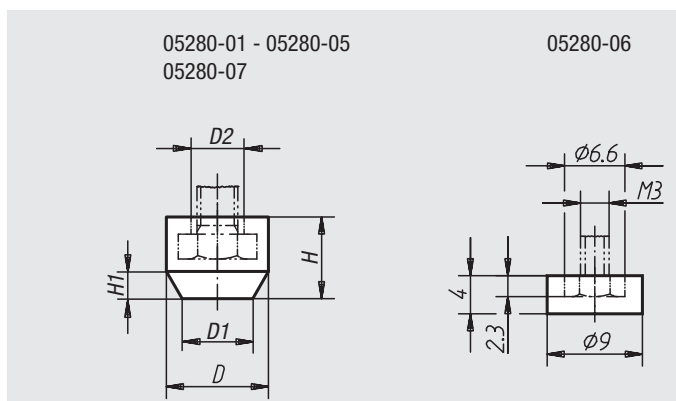
Protective caps



Material:
05280-01 to 05280-05 and
05280-07: oil-resistant rubber;
05280-06: polyamide

Surface finish:
Rubber: black; polyamide: white

Sample order:
nlm 05280-03



Order No.	D	D1	D2	H	H1	for screws	Approx. weight g
05280-06	-	-	-	-	-	M3	1
05280-01	11	7	5,5	8,5	4	M4	1
05280-02	12,5	8	6,8	10	4	M5	1
05280-03	15	10	8,5	12	4	M6	2
05280-04	19	13	11,3	15	6	M8	4
05280-07	23	15	14,5	18	7	M10	7
05280-05	26	19	16,5	20	7	M12	10