

Quick-acting clamps, heavy version

straight foot

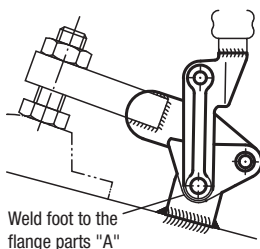
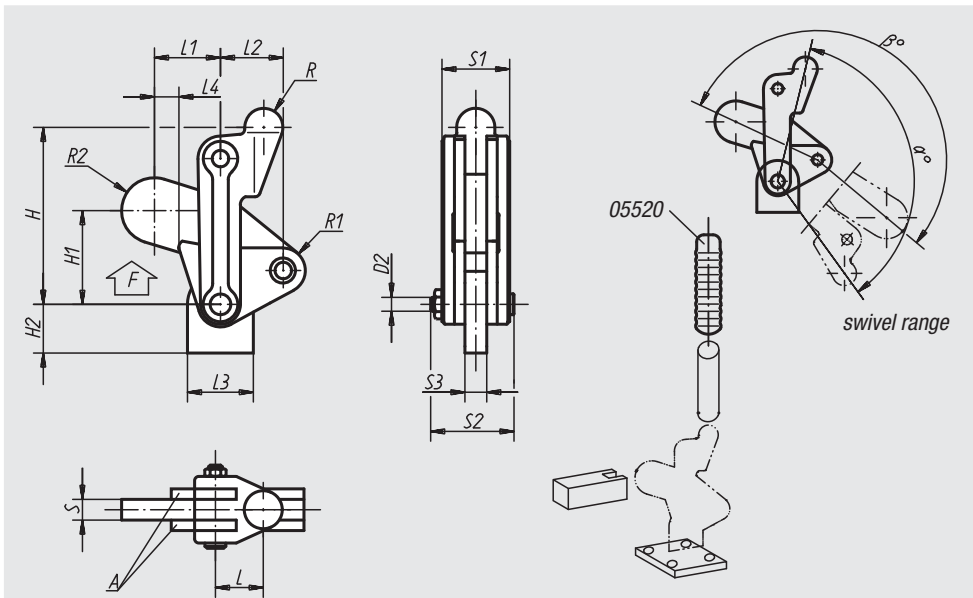


Material:
Steel

Surface finish:
Black oxide finish

Sample order:
nlm 05420-02

Note:
The axial bolts must be frequently lubricated. Avoid splashing welding material in the joints while assembling components (lever, arm).
The quick-acting clamp can be assembled without the central base, directly on another support. To do so, unscrew bolt D2, remove the base and re-assemble the quick-acting clamp on the support located at D2.
Do not forget to weld plates A onto the new support.



Order No.	L	L1	L2	L3	L4	H	H1	H2	D2	S	S1	S2	S3	R	R1	R2	α°	β°	F kN	Approx. weight kg
05420-02	23	26,5	29	29	1,5	84	38,5	20	8,2	10	32	41	10	10	10	13,5	134	205	7	0,700
05420-04	25	38	36	38	13	100	54	28	9,5	12	38	48	12	11	13	19	134	203	12	1,300
05420-06	35	51	44	51	10	129	69	33	12,6	16	50	62	16	15	17	22	132	200	24	2,900