

Fasteners

with spring clip



Material:

Steel or stainless steel 1.4301

Surface finish:

Galvanized, thick-coat passivated and sealed with top coat; stainless steel, natural finish

Sample order:

nIm Fastener 05526-1550911

Clamp 05526-91420141

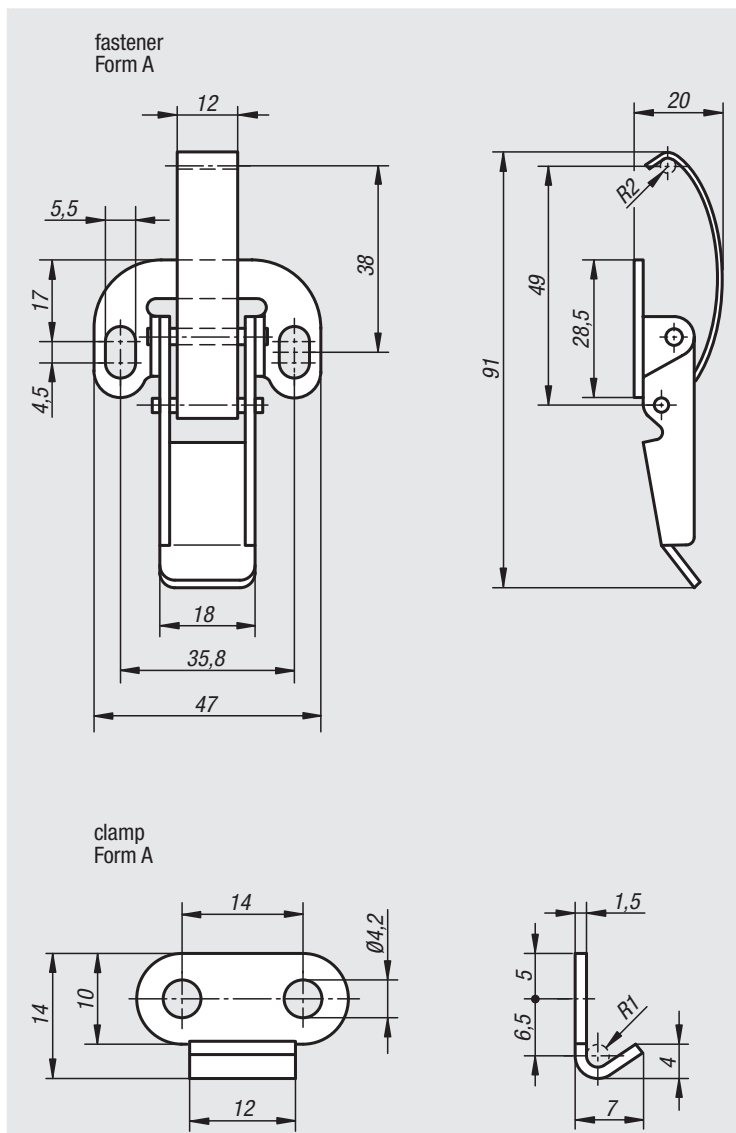
Note:

Fasteners with spring clips for safe holding and locking of flaps, container lids, machine covers and the like. The clamping stroke exceeds the dead centre point which makes them vibration proof.

The fastening force is applied by twisting a spring clip.

The fasteners can be screwed on or rivetted.

Please order clamps separately.



Fasteners with spring clip

Order No. steel	Order No. stainless steel	Form	Approx. weight g
05526-1550911	05526-1550912	A	45

Clamp

Order No. steel	Order No. stainless steel	Form	Approx. weight g
05526-91420141	05526-91420142	A	4