

Fasteners

with a pulling latch



Material:
Steel or stainless steel 1.4301

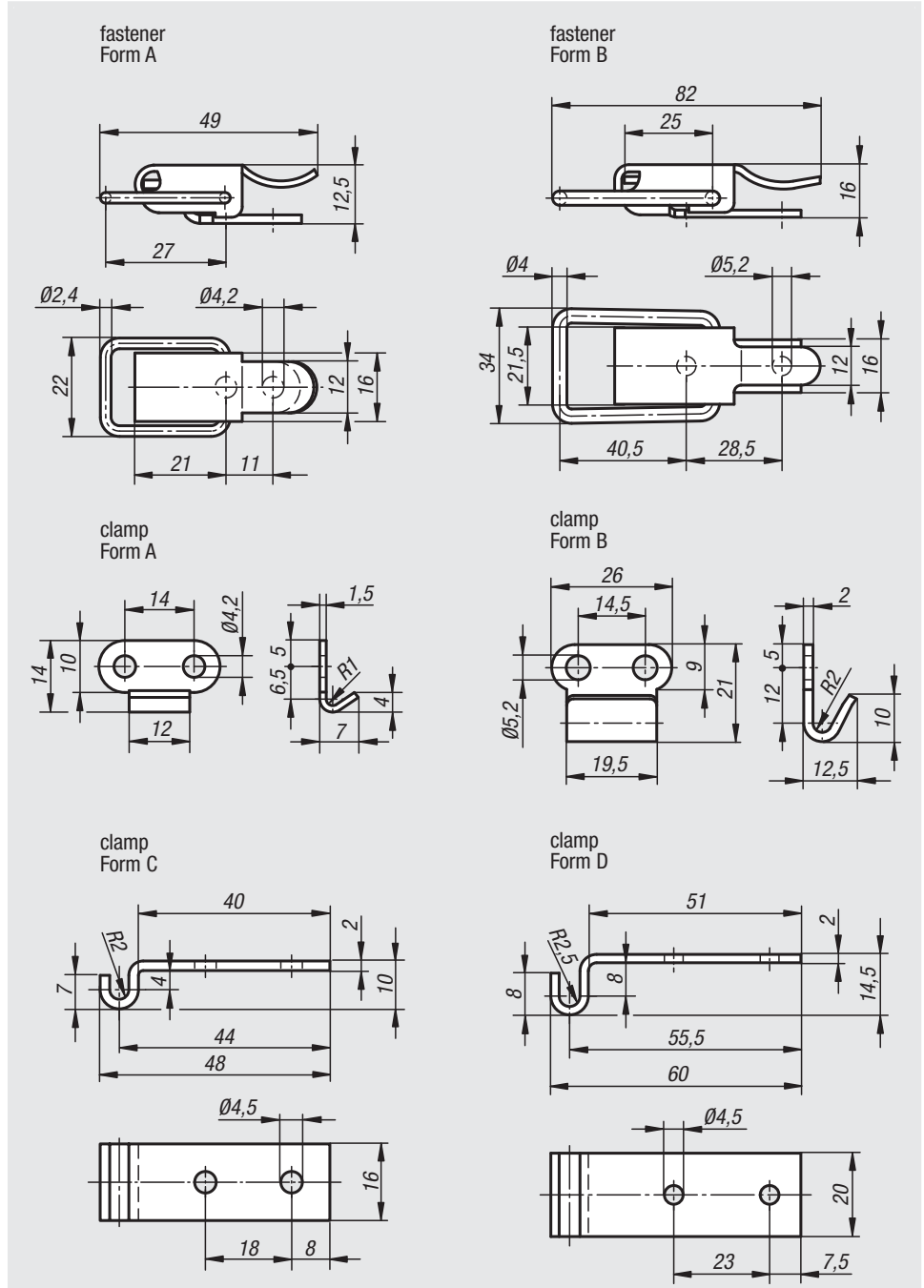
Surface finish:
Galvanized, thick-coat passivated and sealed with top coat;
stainless steel, natural finish

Sample order:
nlm Fastener 05531-1420491
Clamp 05531-92520211

Note:
Fasteners with a pulling latch for safe holding and locking of flaps, container lids, machine covers and the like. The clamping stroke exceeds the dead centre point which makes them vibration proof. The fastening force is applied by twisting of a pulling latch.

The fasteners can be screwed on or rivetted.

Please order the desired version of the clamp separately.



Fasteners with a pulling latch

Order No. steel	Order No. stainless steel	Form	Holding force F1 N	Approx. weight g
05531-1420491	05531-1420492	A	250	21
05531-2520821	05531-2520822	B	300	56

Clamp

Order No. steel	Order No. stainless steel	Form	Approx. weight g
05526-91420141	05526-91420142	A	4
05531-92520211	05531-92520212	B	10
05531-93450481	05531-93450482	C	13
05531-94450601	05531-94450602	D	21

01000
02000
03000
04000
05000
06000
07000
08000
09000
20000
21000
22000
23000