

# Fasteners

with a pulling latch



**Material:**  
Steel or stainless steel 1.4301

**Surface finish:**  
Galvanized, thick-coat passivated and sealed with top coat;  
stainless steel, natural finish

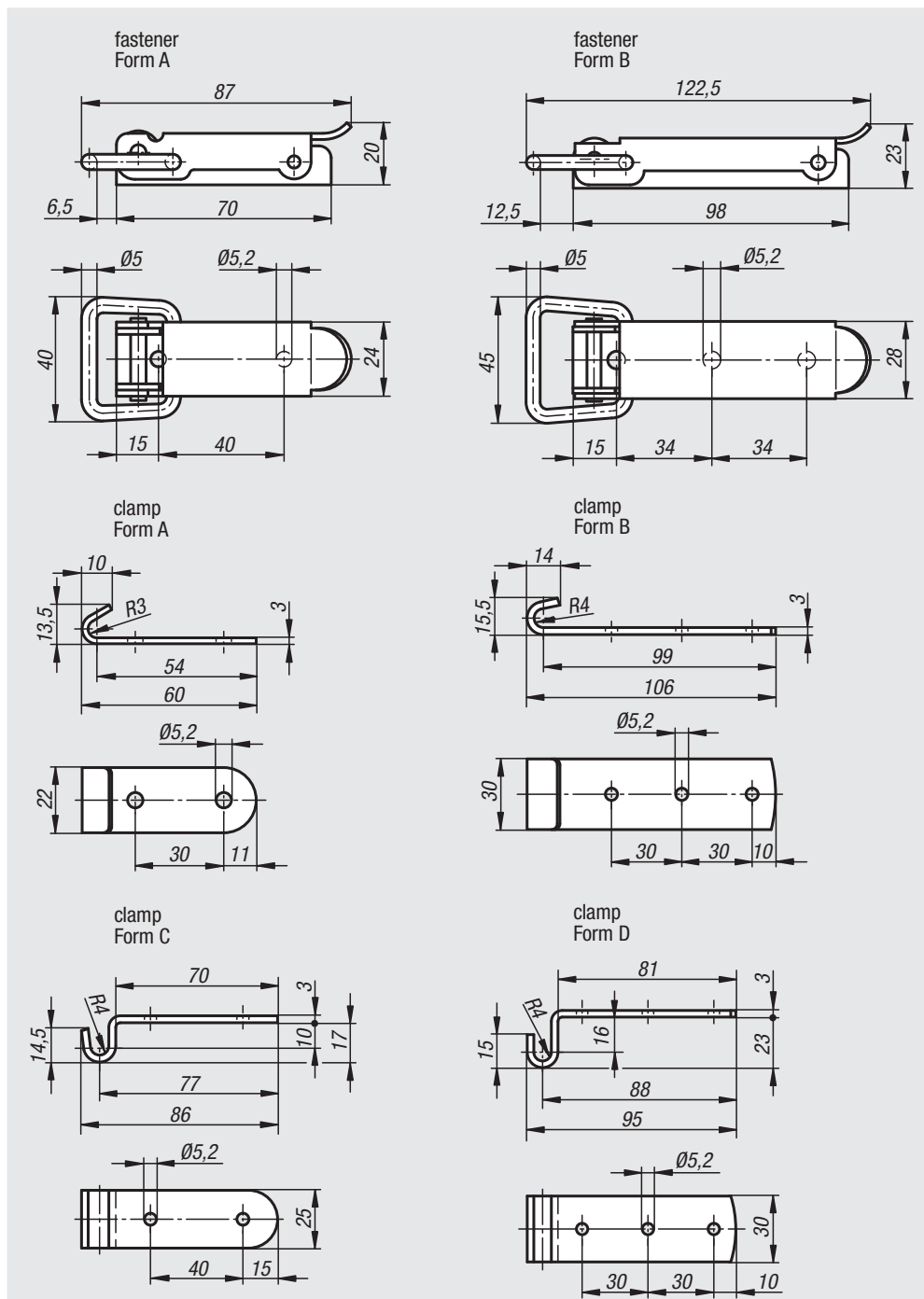
**Sample order:**  
nlm Fastener 05536-1520871  
Clamp 05536-91520601

**Note:**  
Fasteners with a pulling latch for safe holding and locking of flaps, container lids, machine covers and the like. The clamping stroke exceeds the dead centre point which makes them vibration proof.  
The fastening force is applied by twisting of a pulling latch.

The fasteners can be screwed on or rivetted.

Please order the desired version of the clamp separately.

**On request:**  
Lockable version with a lock bracket.



## Fasteners with a pulling latch

Order No. steel	Order No. stainless steel	Form	Approx. weight g
05536-1520871	05536-1520872	A	101
05536-2521221	05536-2521222	B	159

## Clamp

Order No. steel	Order No. stainless steel	Form	Approx. weight g
05536-91520601	05536-91520602	A	34
05536-92521061	05536-92521062	B	79
05536-93520861	05536-93520862	C	59
05536-94520951	05536-94520952	D	80