

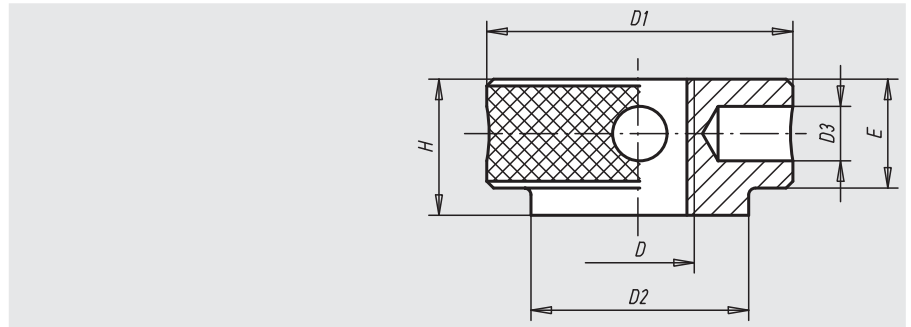
Knurled nuts



Material:
Steel

Surface finish:
Black oxide finish

Sample order:
nlm 06070-100



| Order No. | D | D1 | D2 | D3 | E | H | Approx. weight kg |
|-----------|-----|----|----|----|------|----|-------------------|
| 06070-100 | M10 | 32 | 22 | 4 | 10 | 12 | 0,090 |
| 06070-120 | M12 | 36 | 25 | 5 | 13,5 | 16 | 0,115 |
| 06070-140 | M14 | 40 | 28 | 6 | 15 | 18 | 0,210 |
| 06070-160 | M16 | 45 | 32 | 8 | 16 | 20 | 0,280 |

Application: universal joint and stop, using norelem parts

