

Knurled knobs


Material, surface finish:

Anthracite grey thermoplastic.

Bush in brass or stainless steel 1.4305, natural finish.

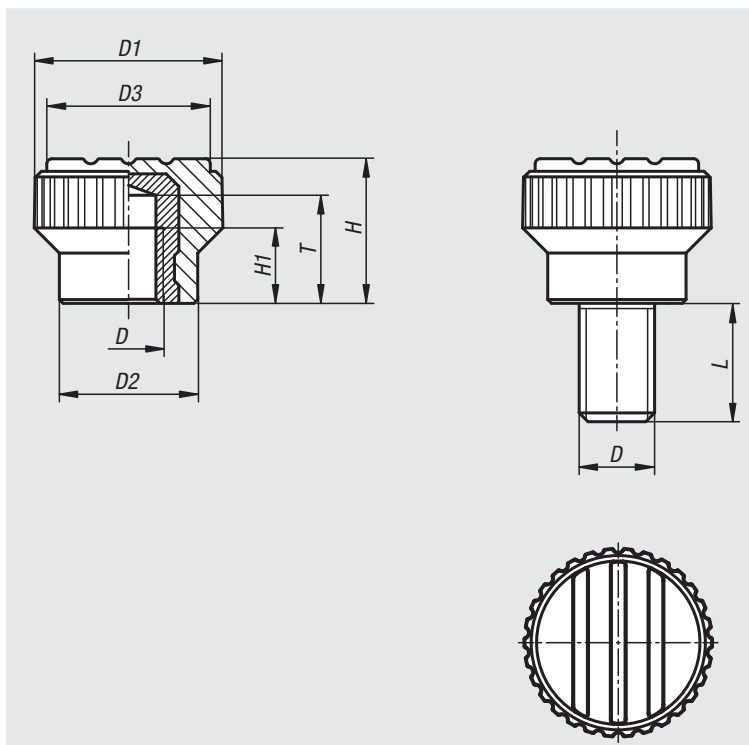
Threaded bolt in steel 5.8, blue chromated or stainless steel 1.4305, natural finish.

Sample order:

nIm 06094-005X12

On request:

Other colours available on request.



Knurled knobs with internal thread

Order No.	Surface finish	D	D1	D2	D3	H	H1	T	Approx. weight g
06094-003	bush brass	M3	15	11	13	11,5	4,5	8,6	3,9
06094-004	bush brass	M4	15	11	13	11,5	6	8,6	4,1
06094-005	bush brass	M5	15	11	13	11,5	6	8,6	4,31
06094-0003	bush in stainless steel	M3	15	11	13	11,5	4,5	8,6	3,9
06094-0004	bush in stainless steel	M4	15	11	13	11,5	6	8,6	4
06094-0005	bush in stainless steel	M5	15	11	13	11,5	6	8,6	4,1

Knurled knobs with external thread

Order No.	Surface finish	D	D1	D2	D3	H	L
06094-003X	bolt in steel	M3	15	11	13	11,5	8/10/12/15
06094-004X	bolt in steel	M4	15	11	13	11,5	8/10/12/15
06094-005X	bolt in steel	M5	15	11	13	11,5	10/12/15/20
06094-006X	bolt in steel	M6	15	11	13	11,5	10/15/20/25
06094-0003X	bolt in stainless steel	M3	15	11	13	11,5	8/10/12/15
06094-0004X	bolt in stainless steel	M4	15	11	13	11,5	8/10/12/15
06094-0005X	bolt in stainless steel	M5	15	11	13	11,5	10/12/15/20
06094-0006X	bolt in stainless steel	M6	15	11	13	11,5	10/15/20/25