

High knurled nuts

in steel and stainless steel, DIN 466



Material, surface finish:

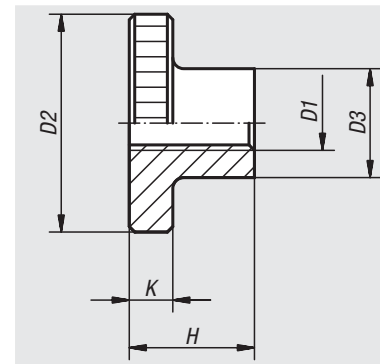
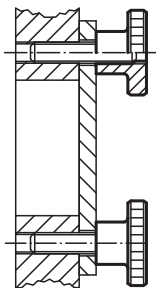
Free-cutting steel 1.0718 black oxide finish.
Stainless steel natural finish.

Sample order:

nIm 06110-04

Note:

High knurled nuts M12 are not provided on the official standard specification sheet.



Order No. steel	Order No. stainless steel	D1	D2	D3	H	K	Approx. weight g
06110-04	06110-042	M4	16	8	9,5	3,5	7
06110-05	06110-052	M5	20	10	11,5	4	13
06110-06	06110-062	M6	24	12	15	5	24
06110-08	06110-082	M8	30	16	18	6	46
06110-10	06110-102	M10	36	20	23	8	88
06110-12	06110-122	M12	36	20	23	8	125

Thin knurled nuts

in steel and stainless steel, DIN 467



Material, surface finish:

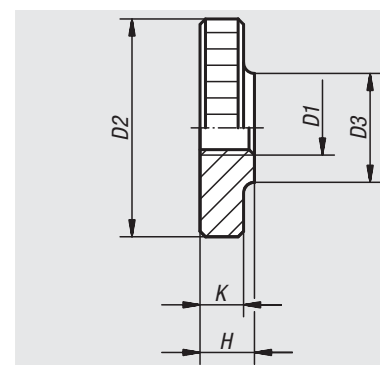
Free-cutting steel 1.0718 black oxide finish.
Stainless steel natural finish

Sample order:

nIm 06120-042

Note:

Thin knurled nuts M12 are not provided on the official standard specification sheet.



Order No. steel	Order No. stainless steel	D1	D2	D3	H	K	Approx. weight g
06120-04	06120-042	M4	16	8	4	3,5	6
06120-05	06120-052	M5	20	10	5	4	10
06120-06	06120-062	M6	24	12	6	5	18
06120-08	06120-082	M8	30	16	8	6	33
06120-10	06120-102	M10	36	20	10	8	58
06120-12	06120-122	M12	36	20	10	8	58