

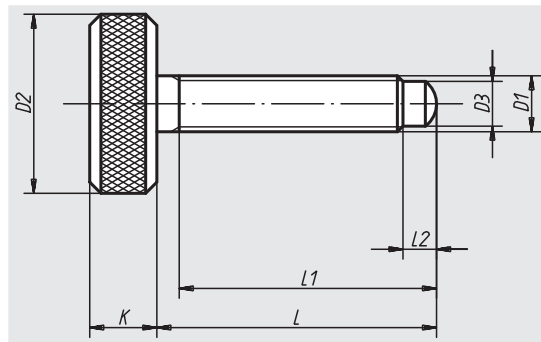
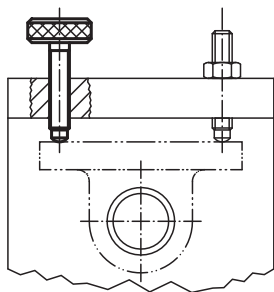
# Knurled knobs



**Material:**  
Tempered steel

**Surface finish:**  
Heat-treated and black oxide finish

**Sample order:**  
nlm 06130-061X50



Order No.	D1	D2	D3	K	L	L1	L2	Approx. weight g
06130-05X25	M5	16	4	6	25	23	3	8
06130-051X40	M5	16	4	6	40	38	3	14
06130-06X35	M6	18	4,5	7	35	33	3,5	10
06130-061X50	M6	18	4,5	7	50	48	3,5	19
06130-062X70	M6	18	4,5	7	70	68	3,5	25
06130-08X45	M8	20	6	8	45	42	5	20
06130-081X60	M8	20	6	8	60	57	5	34
06130-10X45	M10	25	7,5	10	45	42	5,5	35
06130-101X60	M10	25	7,5	10	60	57	5,5	45

# Knurled heads

for hexagon socket screw



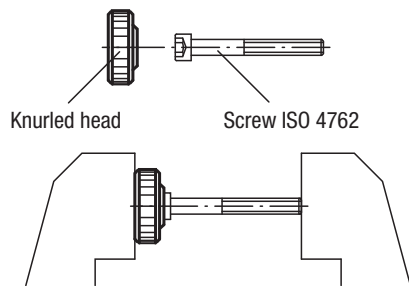
**Material:**  
Thermoplastic.

**Surface finish:**  
Black, grey or red.

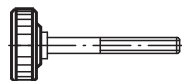
**Sample order:**  
nlm 06132-0506 (knurled head colour red)  
Colour Code:  
5 = grey  
6 = red

**Note:**  
Suitable screws ISO 4762.

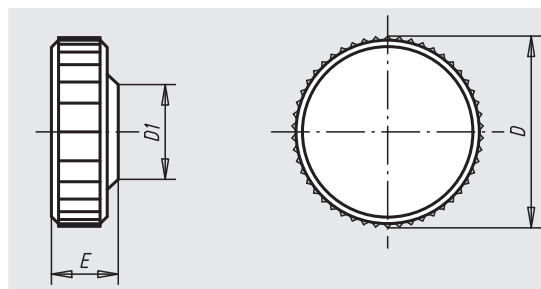
Δ Add the desired knurled head colour here; no colour code is required with black knurled head.



Fit the screw in the head



Knurled head with screw



Order No.	D	D1	E	for hexagon socket screw	Approx. weight kg
06132-030Δ	9,5	8,3	4,5	M3	0,040
06132-040Δ	13	9,6	5,5	M4	0,060
06132-050Δ	16	11,5	6,5	M5	0,070
06132-060Δ	19	13	7,5	M6	0,130
06132-061Δ	26	13	7,8	M6	0,180
06132-080Δ	26	16	9,8	M8	0,300