

Tommy bars

with fixed or sliding T-bar, DIN 6305 or DIN 6307

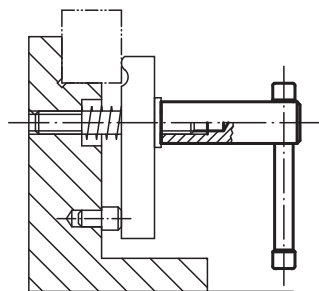
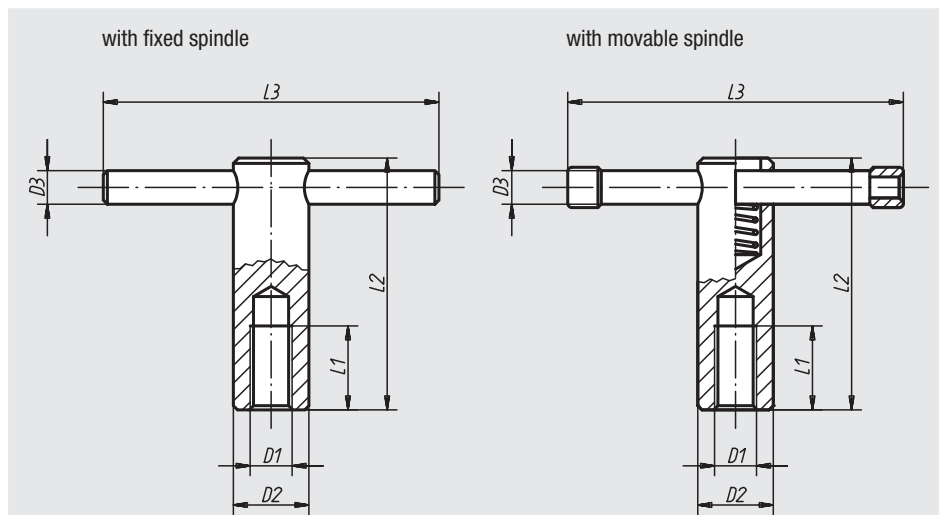


Material:
Steel

Surface finish:
Black oxide finish

Sample order:
nlm 06140-210

Note:
Tommy bars with movable spindle have a moving spindle that is held by a compression spring in each desired position. Stop-rings are used to limit the movement. For fixed spindles, the spindle is press fitted.



Order No.	Surface finish	D1	D2	D3	L1	L2	L3	Approx. weight kg
06140-110	fixed spindle	M10	18	8	20	60	80	0,125
06140-112	fixed spindle	M12	20	10	25	70	100	0,190
06140-116	fixed spindle	M16	24	12	35	85	120	0,340
06140-120	fixed spindle	M20	30	16	40	95	140	0,600
06140-210	movable spindle	M10	18	8	20	60	80	0,115
06140-212	movable spindle	M12	20	10	25	70	100	0,185
06140-216	movable spindle	M16	24	13	35	85	120	0,330
06140-220	movable spindle	M20	30	16	40	95	140	0,590