

# Aluminium palm grips

similar to DIN 6335

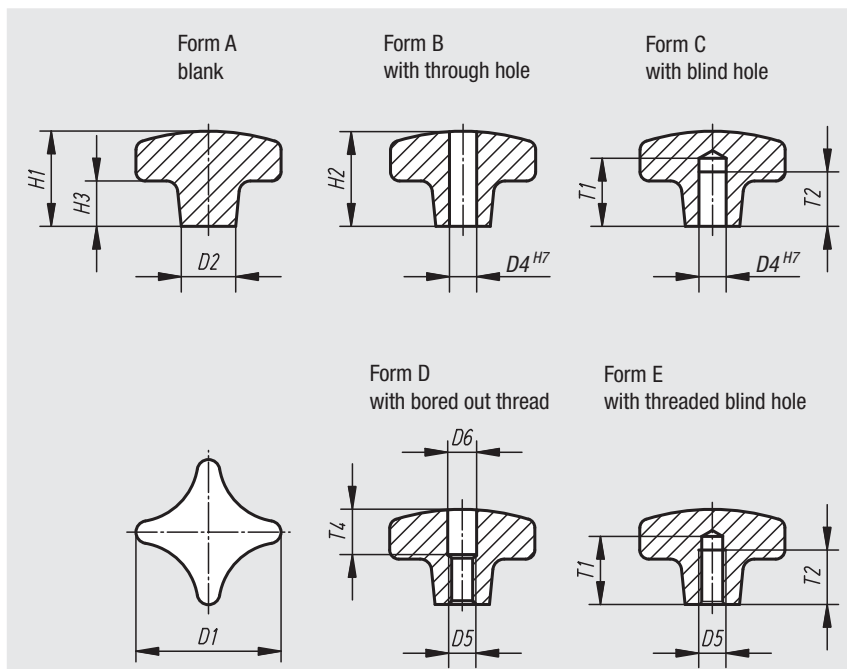


**Material:**  
Aluminium.

**Surface finish:**  
Natural finish tumbled or ground and polished.

**Sample order:**  
nlm 06156-104008

**Application:**  
Palm grips as blanks (deburred).



Order No.	Surface finish	Form	D1	D2	H1	H3	Approx. weight kg
06156-104008	tumbled	A	40	14	26	14	0,030
06156-105010	tumbled	A	50	18	34	20	0,060
06156-106312	tumbled	A	63	25	42	25	0,090
06156-108016	tumbled	A	80	25	52	30	0,180

Order No. tumbled	Order No. polished	Form	D1	D2	D4	H1	H3	H2
06156-204008	06156-2040082	B	40	14	8	8	25	14
06156-205010	06156-2050102	B	50	18	10	10	32	20
06156-206312	06156-2063122	B	63	25	12	12	40	25
06156-208016	06156-2080162	B	80	25	16	16	50	30

Order No. tumbled	Order No. polished	Form	D1	D2	D4	H1	H3	T1	T2
06156-304008	06156-3040082	C	40	14	8	26	14	18	15
06156-305010	06156-3050102	C	50	18	10	34	20	21	18
06156-306312	06156-3063122	C	63	25	12	42	25	25	22
06156-308016	06156-3080162	C	80	25	16	52	30	32	28

Order No. tumbled	Order No. polished	Form	D1	D2	D5	D6	H2	H3	T4
06156-404008	06156-4040082	D	40	14	M8	8,4	25	14	12
06156-405010	06156-4050102	D	50	18	M10	10,5	32	20	16
06156-406312	06156-4063122	D	63	25	M12	13	40	25	20
06156-408016	06156-4080162	D	80	25	M16	17	50	30	30

Order No. tumbled	Order No. polished	Form	D1	D2	D5	H1	H3	T1	T2
06156-504008	06156-5040082	E	40	14	M8	26	14	18	15
06156-505010	06156-5050102	E	50	18	M10	34	20	21	18
06156-506312	06156-5063122	E	63	25	M12	42	25	25	22
06156-508016	06156-5080162	E	80	25	M16	52	30	32	28

01000  
02000  
03000  
04000  
05000  
06000  
07000  
08000  
09000  
20000  
21000  
22000  
23000