

Grey cast iron palm grips

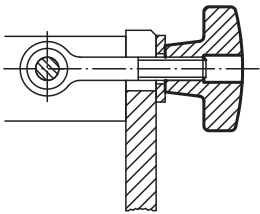
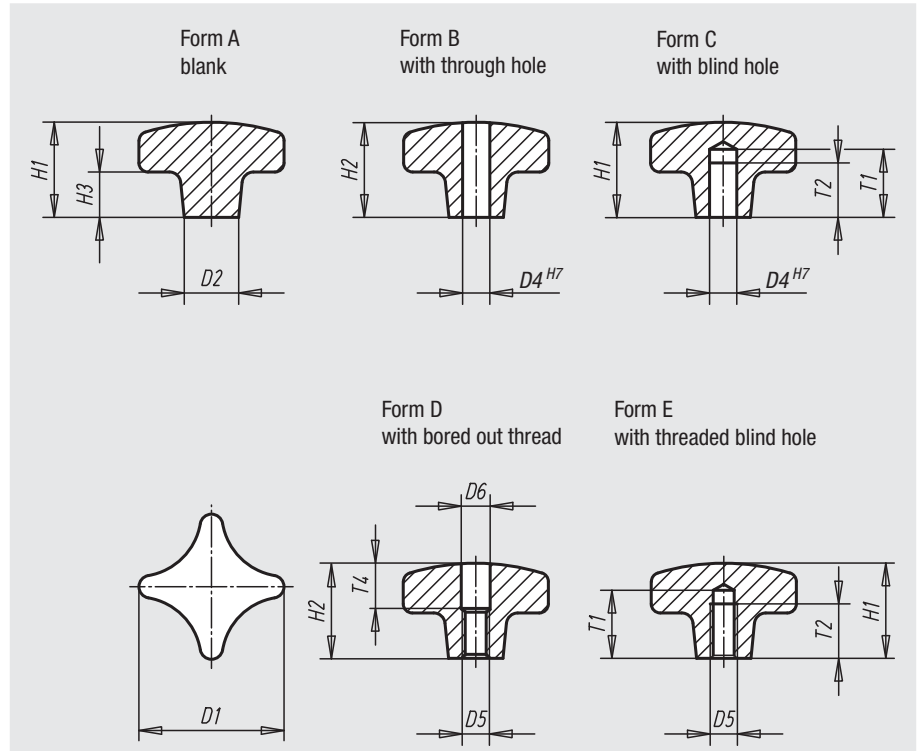
DIN 6335



Material:
Grey cast iron GJL 200.

Surface finish:
Natural finish tumbled.

Sample order:
nlm 06160-106



Order No. Form A	Order No. Form B	Surface finish	D1	D2	D4	H1	H2	H3
06160-106	06160-206	tumbled	32	12	-/6	21/-	-/20	10
06160-108	06160-208	tumbled	40	14	-/8	26/-	-/25	14
06160-110	06160-210	tumbled	50	18	-/10	34/-	-/32	20
06160-112	06160-212	tumbled	63	20	-/12	42/-	-/40	25
06160-116	06160-216	tumbled	80	25	-/16	52/-	-/50	30
06160-120	06160-220	tumbled	100	32	-/20	65/-	-/63	38

Order No. Form C	Order No. Form D	Order No. Form E	Surface finish	D1	D2	D4	D5	D6	H1	H2	H3	T1	T2	T4
06160-306	06160-406	06160-506	tumbled	32	12	6/-/	-/M6/M6	-/6,4/-	21/-/21	-/20/-	10	15/-/15	12/-/12	-/10/-
06160-308	06160-408	06160-508	tumbled	40	14	8/-/	-/M8/M8	-/8,4/-	26/-/26	-/25/-	14	18/-/18	15/-/15	-/12/-
06160-310	06160-410	06160-510	tumbled	50	18	10/-/	-/M10/M10	-/10,5/-	34/-/34	-/32/-	20	21/-/21	18/-/18	-/16/-
06160-312	06160-412	06160-512	tumbled	63	20	12/-/	-/M12/M12	-/13/-	42/-/42	-/40/-	25	25/-/25	22/-/22	-/20/-
06160-316	06160-416	06160-516	tumbled	80	25	16/-/	-/M16/M16	-/17/-	52/-/52	-/50/-	30	32/-/32	28/-/28	-/30/-
06160-320	06160-420	06160-520	tumbled	100	32	20/-/	-/M20/M20	-/21/-	65/-/65	-/63/-	38	40/-/40	36/-/36	-/38/-

01000
02000
03000
04000
05000
06000
07000
08000
09000
20000
21000
22000
23000