

Palm grips

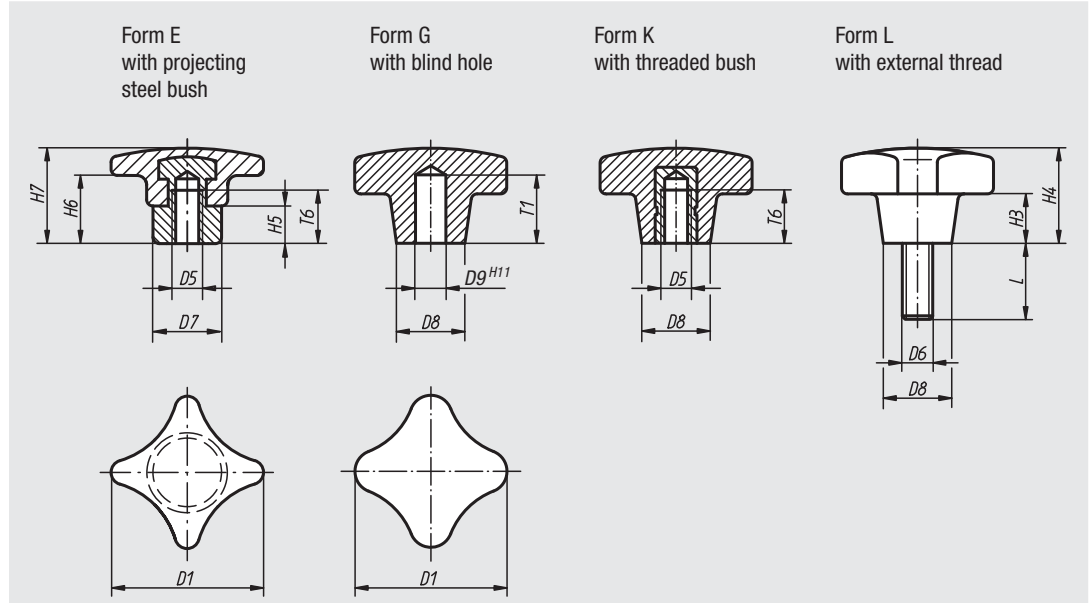
similar to DIN 6335



Material:
 Black duroplastic PF 31.
 Projecting bush in steel.
 Bush and threaded bolt in galvanized steel.

Surface finish:
 Deburred and high-polish finish.

Sample order:
 nlm 06180-505X30
 (please also indicate dimension L)



Order No.	Form	D1	D5	D7	H5	H6	H7	T6	Approx. weight g
06180-306	E	32	M6	12	9	12	23	12	9
06180-308	E	40	M8	14	10	13	26	14	12
06180-310	E	50	M10	18	12	18	32	18	33
06180-312	E	63	M12	20	14	23	40	22	70
06180-316	E	80	M16	25	17	28	50	30	120

Order No.	Form	D1	D8	D9	H3	H4	T1	Approx. weight g
06180-405	G	25	12	5	8	16	12	8
06180-406	G	32	14	6	10	20	15	10
06180-408	G	40	18	8	13	25	18	18
06180-410	G	50	22	10	20	32	21	24
06180-412	G	63	26	12	25	40	25	50

Order No.	Form	D1	D5	D8	H3	H4	T6	Approx. weight g
06180-205	K	25	M5	12	8	16	9,5	12
06180-206	K	32	M6	14	10	20	12	11
06180-208	K	40	M8	18	13	25	14	18
06180-210	K	50	M10	22	20	32	18	30
06180-212	K	63	M12	26	25	40	22	60
06180-216	K	80	M16	35	30	50	30	120

Order No.	Form	D1	D6	D8	H3	H4	L = screw length
06180-505X	L	25	M5	12	8	16	15/20/25/30/40/50
06180-506X	L	32	M6	14	10	20	15/20/25/30/40/50
06180-508X	L	40	M8	18	13	25	20/25/30/35/40/45/50
06180-510X	L	50	M10	22	20	32	20/25/30/35/40/45/50
06180-512X	L	63	M12	26	25	40	20/30/40/50/60

01000
02000
03000
04000
05000
06000
07000
08000
09000
20000
21000
22000
23000