

Quick-fastening palm grips

in grey cast iron



Material:

Grey cast iron GJL 300

Surface finish:

Sand-blasted or tumbled

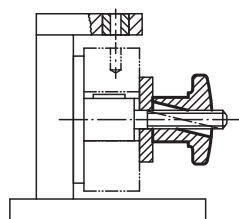
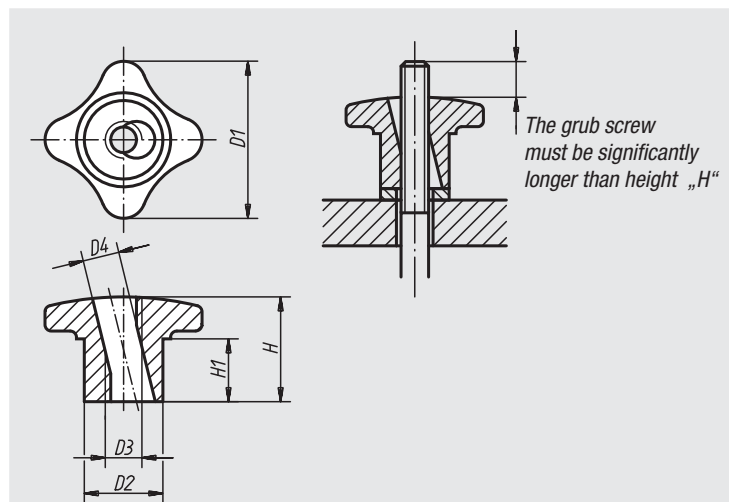
Sample order:

nIm 06190-08

Note:

Quick-fastening grips can be used on all systems that do not require much clamping force.

This function is achieved by means of a semilateral thread.



Order No.	D1	D2	D3	D4	H	H1	Approx. weight kg
06190-06	30	15	M6	7	20	10	0,025
06190-08	40	18	M8	9,4	25	14	0,040
06190-10	50	21	M10	11,3	30	16	0,085
06190-12	60	26	M12	13,1	35	19	0,190
06190-14	70	30	M14	15,6	40	22	0,270
06190-16	80	34	M16	17,6	45	25	0,380