

Grey cast iron star grips

DIN 6336

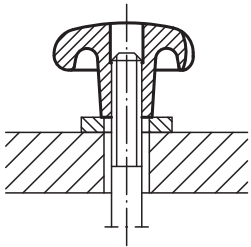
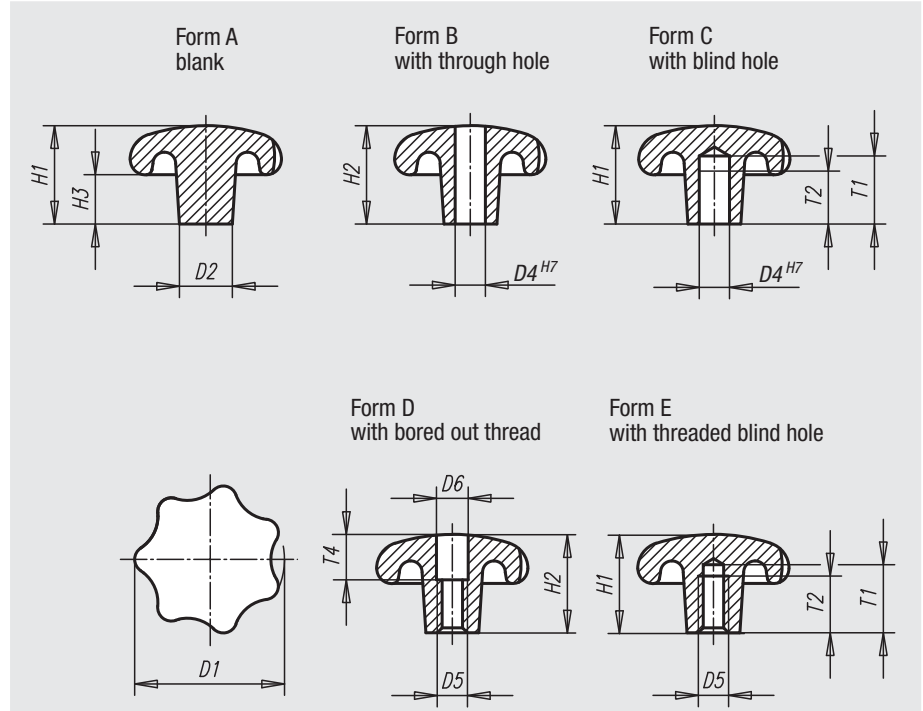


Material:
Grey cast iron GJL 200.

Surface finish:
Natural finish, tumbled.

Sample order:
nlm 06200-106

On request:
Grey cast iron star grips plastic-coated.



Order No. Form A	Order No. Form B	Surface finish	D1	D2	D4	H1	H2	H3
06200-106	06200-206	tumbled	32	12	-/6	21/-	-/20	10
06200-108	06200-208	tumbled	40	14	-/8	26/-	-/25	13
06200-110	06200-210	tumbled	50	18	-/10	34/-	-/32	17
06200-112	06200-212	tumbled	63	20	-/12	42/-	-/40	21
06200-116	06200-216	tumbled	80	25	-/16	52/-	-/50	25

Order No. Form C	Order No. Form D	Order No. Form E	Surface finish	D1	D2	D4	D5	D6	H1	H2	H3	T1	T2	T4
06200-306	06200-406	06200-506	tumbled	32	12	6/-/	-/M6/M6	-/6,4/-	21/-/21	-/20/-	10	15/-/15	12/-/12	-/10/-
06200-308	06200-408	06200-508	tumbled	40	14	8/-/	-/M8/M8	-/8,4/-	26/-/26	-/25/-	13	18/-/18	15/-/15	-/12/-
06200-310	06200-410	06200-510	tumbled	50	18	10/-/	-/M10/M10	-/10,5/-	34/-/34	-/32/-	17	21/-/21	18/-/18	-/16/-
06200-312	06200-412	06200-512	tumbled	63	20	12/-/	-/M12/M12	-/13/-	42/-/42	-/40/-	21	25/-/25	22/-/22	-/20/-
06200-316	06200-416	06200-516	tumbled	80	25	16/-/	-/M16/M16	-/17/-	52/-/52	-/50/-	25	32/-/32	28/-/28	-/30/-

01000
02000
03000
04000
05000
06000
07000
08000
09000
20000
21000
22000
23000