

Star grips

similar to DIN 6336


Material:

Duroplastic PF 31, black.

Bush and threaded bolt in galvanized steel and blue chromated.

Surface finish:

Deburred and high-polish finish.

Sample order:

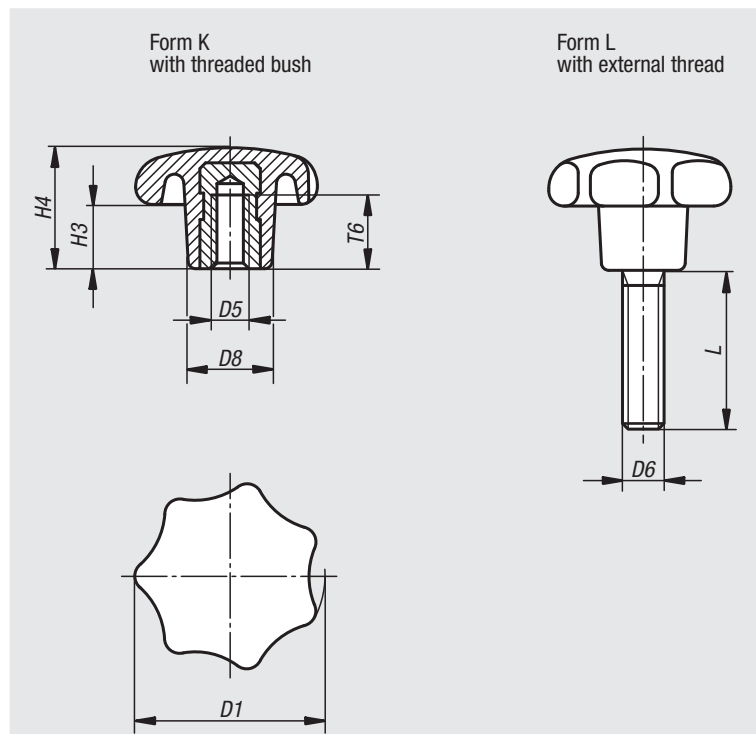
nIm 06208-42505X15 (please also indicate dimension L)

Note:

The version 06208-22004 has a bush in copper-plated steel.

On request:

Other colours.



Star grips similar to DIN 6336 with internal thread, form K

Order No.	Form	D1	D5	D8	H3	H4	T6
06208-22004	K	20	M4	10	7	13	6,5
06208-22505	K	25	M5	12	8	16	9,5
06208-23206	K	32	M6	14	10	20	12
06208-24008	K	40	M8	18	13	25	14
06208-25010	K	50	M10	22	17	32	18
06208-26312	K	63	M12	26	21	40	22
06208-28016	K	80	M16	35	25	50	30

Star grips similar to DIN 6336 with external thread, form L

Order No.	Form	D1	D6	D8	H3	H4	L
06208-42505X	L	25	M5	12	8	16	15/20/25
06208-43206X	L	32	M6	14	10	20	15/20/25/30
06208-44008X	L	40	M8	18	13	25	20/25/30/35/40
06208-45010X	L	50	M10	22	17	32	25/30/35/40/50
06208-46312X	L	63	M12	26	21	40	30/35/40/50/60
06208-48016X	L	80	M16	35	25	50	30/40/50/60