

Star grips

with projecting steel bush



Material:

Black thermoplastic.

Steel parts quality class 5.8 or steel parts in stainless steel, 1.4305.

Surface finish:

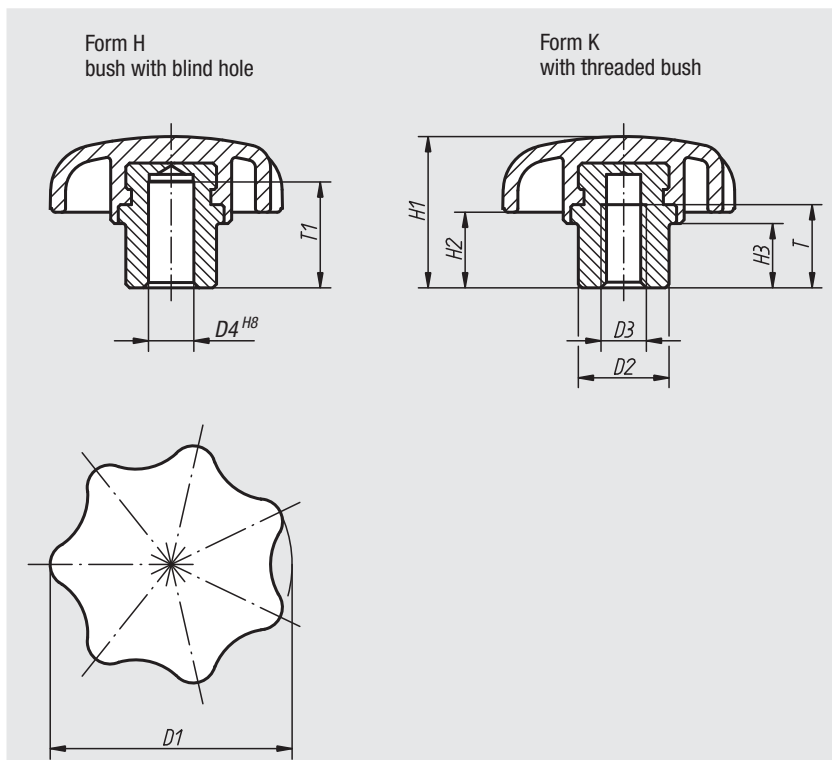
Steel parts blue chromated or in stainless steel, natural finish.

Sample order:

nIm 06210-2081

Note:

Star grips with projecting steel bush are especially suitable for cross pin connections.



Star grips with projecting steel bush, form H

Order No.	Surface finish	Form	D4	T1	D1	D2	H1	H2	H3
06210-105	bush in steel	H	5	9,5	25	10	16	8	6
06210-106	bush in steel	H	6	12	32	12	20	10	8,5
06210-1061	bush in steel	H	6	14	40	13,5	25	13	10
06210-108	bush in steel	H	8	14	40	13,5	25	13	10
06210-1081	bush in steel	H	8	18	50	19	32	17	12
06210-110	bush in steel	H	10	18	50	19	32	17	12
06210-1101	bush in steel	H	10	22	63	19	40	21	15
06210-112	bush in steel	H	12	22	63	19	40	21	15
06210-116	bush in steel	H	16	22	63	23	40	21	15

Star grips with projecting steel bush, form K

Order No. bush in steel	Order No. bush in stainless steel	Form	D3	T	D1	D2	H1	H2	H3
06210-205	06210-305	K	M5	8,5	25	10	16	8	6
06210-206	06210-306	K	M6	12	32	12	20	10	8,5
06210-2061	06210-3061	K	M6	14	40	13,5	25	13	10
06210-208	06210-308	K	M8	14	40	13,5	25	13	10
06210-2081	06210-3081	K	M8	18	50	19	32	17	12
06210-210	06210-310	K	M10	18	50	19	32	17	12
06210-2101	06210-3101	K	M10	22	63	19	40	21	15
06210-212	06210-312	K	M12	22	63	19	40	21	15
06210-216	06210-316	K	M16	22	63	23	40	21	15