

Star grips

similar to DIN 6336, steel parts in stainless steel



Material:

Black thermoplastic. Bush and threaded bolt in stainless steel X 10 CrNiS 18 9 = 1.4305.

Surface finish:

Bush and threaded bolt natural finish.

Sample order:

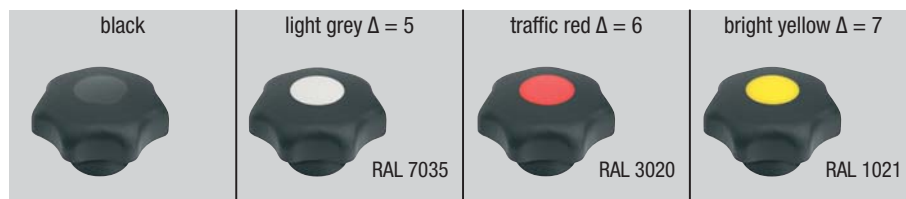
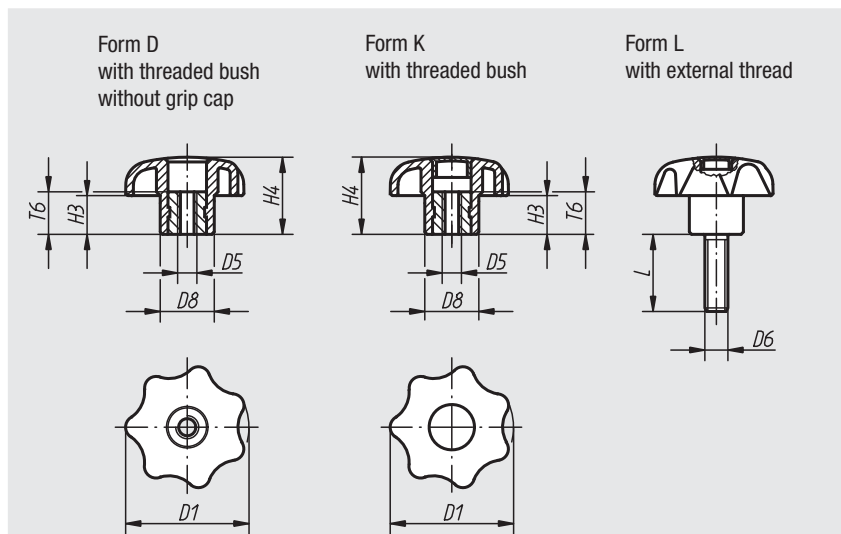
nIm 06212-4067X30 (grip cap colour bright yellow; please also indicate dimension L)

Note:

Δ Add the desired cap colour here. No colour code is required with black wheel caps.

On request:

Other colours or designs, such as company logos.



Star grips similar to DIN 6336, steel parts in stainless steel with internal thread, form D

Order No.	Form	D1	D5	D8	H3	H4	T6	Approx. weight g
06212-505Δ	D	25	M5	12	8	16	10	8
06212-506Δ	D	32	M6	14	10	20	10	10
06212-508Δ	D	40	M8	18	13	25	14	24
06212-510Δ	D	50	M10	22	17	32	14	40
06212-512Δ	D	63	M12	26	21	40	18	80

Star grips similar to DIN 6336, steel parts in stainless steel with internal thread, form K

Order No.	Form	D1	D5	D8	H3	H4	T6	Approx. weight g
06212-205Δ	K	25	M5	12	8	16	10	8
06212-206Δ	K	32	M6	14	10	20	10	10
06212-208Δ	K	40	M8	18	13	25	14	24
06212-210Δ	K	50	M10	22	17	32	14	40
06212-212Δ	K	63	M12	26	21	40	18	80

Star grips similar to DIN 6336, steel parts in stainless steel with external thread, form L

Order No.	Form	D1	D6	D8	H3	H4	L
06212-405ΔX	L	25	M5	12	8	16	15/20
06212-406ΔX	L	32	M6	14	10	20	20/30
06212-408ΔX	L	40	M8	18	13	25	15/20/25/30/40/60
06212-410ΔX	L	50	M10	22	17	32	25/30/40/50/60