

## Quick-acting star grips

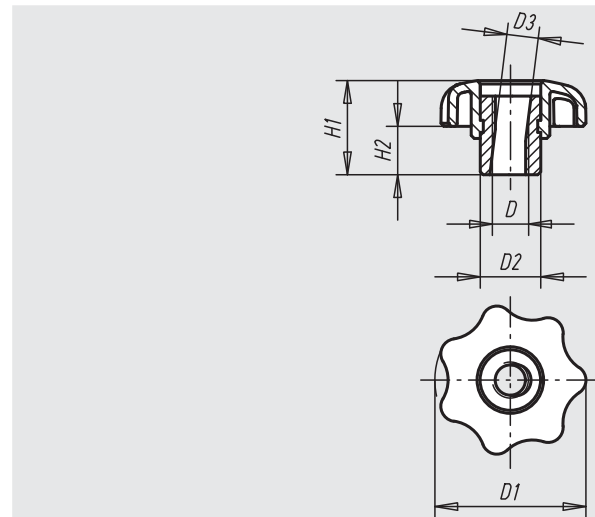
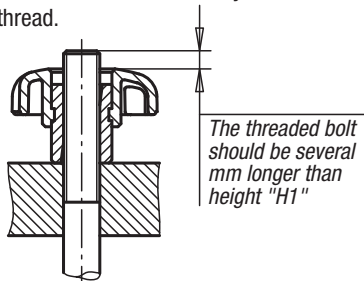


**Material:**  
Black thermoplastic.  
Bush in steel.

**Surface finish:**  
Bush galvanized and blue chromated.

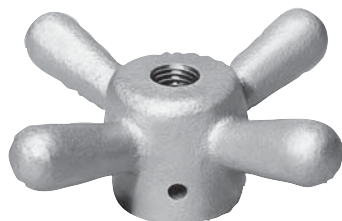
**Sample order:**  
nlm 06222-06

**Note:**  
Quick-acting star grips are mainly used in applications where no high clamping pressures are required. This function is achieved by means of a semilateral thread.



Order No.	D	D1	D2	D3	H1	H2	Approx. weight kg
06222-05	M5	25	10	5,2	15,5	8	0,008
06222-06	M6	32	12	6,2	19,5	10	0,013
06222-08	M8	40	13,5	8,3	24,5	13	0,020
06222-10	M10	50	19	10,3	31	17	0,055
06222-12	M12	63	19	12,3	39,5	21	0,068

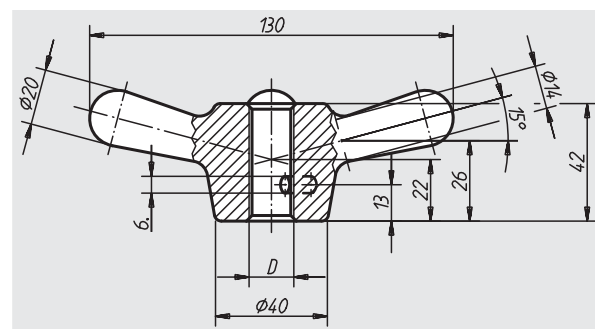
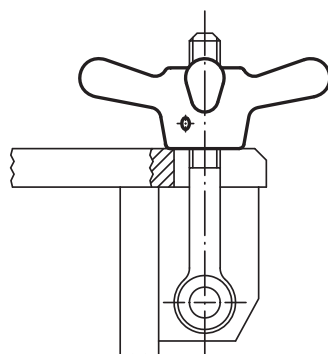
## Four-spoked nuts



**Material:**  
GJMW 350 malleable cast iron

**Surface finish:**  
Deburred and sand-blasted

**Sample order:**  
nlm 06230-20



Order No.	D	Approx. weight kg
06230-16	M16	0,710
06230-20	M20	0,675
06230-24	M24	0,640