

Mushroom knobs

with internal thread in steel or stainless steel


Material:

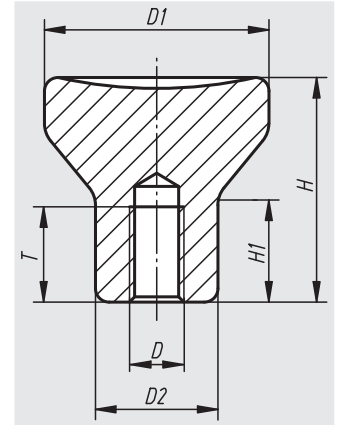
Stainless steel electrolytic-polish.
Steel, galvanized and blue chromated.

Sample order:

nln 06240-104

On request:

Mushroom knobs with external thread



Order No. steel	Order No. stainless steel	D	D1	D2	H	H1	T	Approx. weight kg
06240-0902	06240-902	M2	14	8	14	6,7	4	0,009
06240-0003	06240-003	M3	18	10	18	8,6	7,5	0,019
06240-0104	06240-104	M4	21	12	21	10	10	0,030
06240-0105	06240-105	M5	21	12	21	10	12,5	0,030
06240-0206	06240-206	M6	25	14	25	12	12	0,049
06240-0308	06240-308	M8	33	18	33	16	16	0,113
06240-0410	06240-410	M10	40	24	40	18,7	20	0,217