

Grip balls

revolving



Material, surface finish:

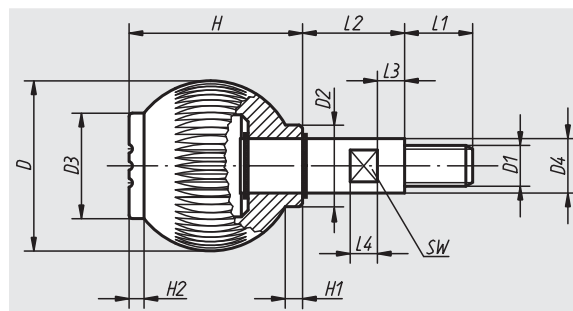
Anthracite grey thermoplastic.
 Shaft in steel 5.8, blue chromated or stainless steel 1.4305, natural finish.
 Circlips are galvanized (including stainless steel versions).

Sample order:

nIm 06246-1066 (grip cap colour traffic red)

Note:

Δ Add the desired grip cap colour here; no colour code is required with anthracite grey grip caps.



Order No. shaft steel	Order No. shaft stainless steel	Size	D	D1	D2	D3	D4	H	H1	H2	L1	L2	L3	L4	SW	Approx. weight kg
06246-106Δ	06246-0106Δ	1	25	M6	12	17	8	25	2,5	2,2	10	15	5	5	7	0,020
06246-208Δ	06246-0208Δ	2	32	M8	15,5	19	10	33	3,2	2,8	12	20	6	6	8	0,042
06246-310Δ	06246-0310Δ	3	40	M10	19	23	13	41,5	4	3,5	15	25	7	9	10	0,086
06246-412Δ	06246-0412Δ	4	50	M12	24	31	16	51	5	4,4	20	30	8	8	13	0,157

01000
02000
03000
04000
05000
06000
07000
08000
09000
20000
21000
22000
23000