

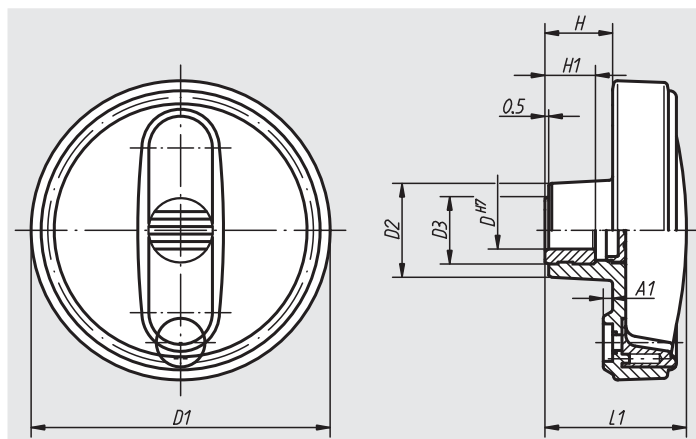
Handwheels



Material, surface finish:
 Anthracite grey thermoplastic.
 Steel parts black oxide finish.

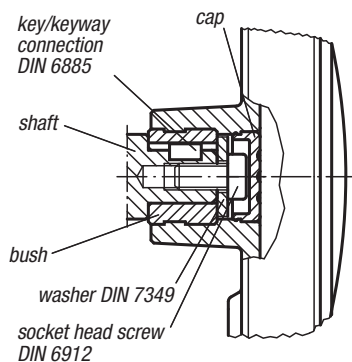
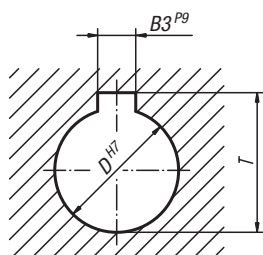
Sample order:
 nlm 06262-108008

Note:
 The hub cap is supplied loose.
 The handwheels can be secured using a transverse pin or with axial key and keyway connection together with a DIN 6912 socket head screw and a DIN 7349 washer.



assembly example

hub slot according to
 DIN 6885-1



Order No. hub without slot	Order No. hub with slot	Size	D	D1	D2	D3	A1	H	H1	L1	B3	T	Approx. weight kg
06262-108008	06262-10800802	1	8	80	25	19	2,5	17,5	13	37,5	-/2	-/9	0,074
06262-108010	06262-10801003	1	10	80	25	19	2,5	17,5	13	37,5	-/3	-/11,4	0,074
06262-108012	06262-10801204	1	12	80	25	19	2,5	17,5	13	37,5	-/4	-/13,8	0,074
06262-210010	06262-21001003	2	10	100	28	19	3	20	13	44	-/3	-/11,4	0,125
06262-210012	06262-21001204	2	12	100	28	19	3	20	13	44	-/4	-/13,8	0,125
06262-312512	06262-31251204	3	12	125	35	25	4	23,5	18,5	53	-/4	-/13,8	0,229
06262-312514	06262-31251405	3	14	125	35	25	4	23,5	18,5	53	-/5	-/16,3	0,229
06262-312516	06262-31251605	3	16	125	35	25	4	23,5	18,5	53	-/5	-/18,3	0,229
06262-416014	06262-41601405	4	14	160	45	25	5,6	28	18,5	64,5	-/5	-/16,3	0,425
06262-416016	06262-41601605	4	16	160	45	25	5,6	28	18,5	64,5	-/5	-/18,3	0,425